



The FH hopper bottom silos are offered either 45° or 60° hopper with an optimized design to reach up to 1.000 m³ capacity. FH silos can be designed according to ANSI/ASAE EP433 (R2011) and Eurocode EN 1991-4 (2006) standards. Local environmental conditions (wind, seismic & snow load) are taken into account to ensure a perfect fit with the specific site condition.

The roof is made of 30-degree inclined ribbed panels in ZM310 steel. The inspection hatch is included as standard. The silo sidewall sheets are designed with 600 grammes/m² galvanized as well as the external stiffeners.

The supporting structure is totally hot-dip galvanized and is made of commercial laminated steel profiles. In particular, the columns are made of HE profiles while the bracings with angles. The hopper consists in hot-dip galvanized compression ring and hopper panels. The compression ring is made of a formed plate welded with a skirt and is connected to the columns via bolted connection. The hopper includes an inspection hatch and an outlet collar.

The design conditions described above are selected to achieve the longest silo & accessories lifetimes.

The full range of **AGI EMEA** accessories include:

- › Vertical & roof ladders
- › Internal ladders
- › Catwalks and platforms
- › High/low level sensors
- › Roof vents and Roof fans
- › Aeration systems
- › Outlet slides
- › Sidewall access door etc.
- › Remote center cap opening facility
- › Roof handrails (with or without walkway)
- › Ventilated roof
- › Snow Barriers



— Legend & Details of connection:

- 1 = Compression ring
- 2 = Column
- 3 = Silo Stiffener
- 4 = Bracing
- 5 = Internal skirt



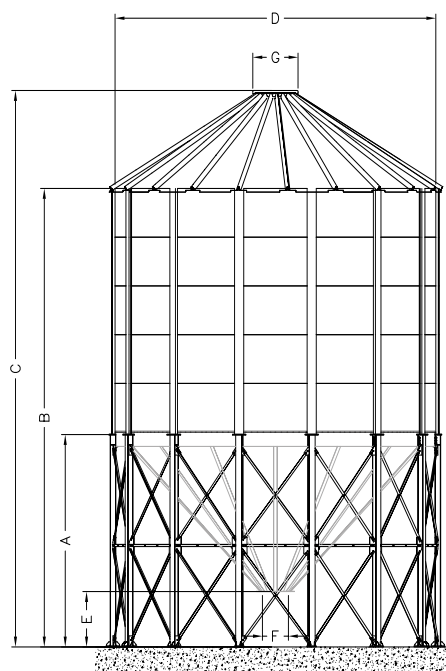
AGI EMEA S.R.L.

Head office: Via Bertella 2 - 40064 Ozzano dell'Emilia (BO) – Italy

P +39 051 798 107 | F +39 051 796 300 | E agiemea@aggrowth.com | framespa.com | ptmtechnology.com | aggrowth.com

DIAMETER (m) (FEET)	MODEL	FH SERIES 45° HOPPER SILO				
		CAPACITIES		HEIGHTS		
		m ³	Tons	A (m)	B (m)	C (m)
FH-45 04 D= 3,64 m (12 FT)	FH-45 04/05	56	44	2,490	6,934	7,915
	FH-45 04/06	65	51	2,490	7,815	8,796
	FH-45 04/07	74	58	2,490	8,695	9,676
	FH-45 04/08	83	65	2,490	9,575	10,556
	FH-45 04/09	92	72	2,490	10,455	11,436
	FH-45 04/10	102	79	2,490	11,335	12,316
	FH-45 04/11	111	86	2,490	12,215	13,196
	FH-45 04/12	120	93	2,490	13,095	14,076
	FH-45 04/13	129	101	2,490	13,975	14,956
	FH-45 05/05	91	71	2,925	7,369	8,612
	FH-45 05/06	105	82	2,925	8,250	9,493
	FH-45 05/07	120	93	2,925	9,130	10,373
	FH-45 05/08	134	104	2,925	10,010	11,253
FH-45 05 D= 4,55 m (15 FT)	FH-45 05/09	148	116	2,925	10,890	12,133
	FH-45 05/10	162	127	2,925	11,770	13,013
	FH-45 05/11	177	138	2,925	12,650	13,893
	FH-45 05/12	191	149	2,925	13,530	14,773
	FH-45 05/13	205	160	2,925	14,410	15,653
	FH-45 05/14	220	171	2,925	15,290	16,533
	FH-45 05/15	234	182	2,925	16,170	17,413
	FH-45 05/16	248	194	2,925	17,051	18,294
	FH-45 05/17	263	205	2,925	17,931	19,174
	FH-45 06/05	136	106	3,390	7,834	9,340
	FH-45 06/06	157	122	3,390	8,715	10,221
	FH-45 06/07	178	139	3,390	9,595	11,101
	FH-45 06/08	198	155	3,390	10,475	11,981
FH-45 06/09	219	171	3,390	11,355	12,861	
FH-45 06 D= 5,46 m (18 FT)	FH-45 06/10	239	187	3,390	12,235	13,741
	FH-45 06/11	260	203	3,390	13,115	14,621
	FH-45 06/12	281	219	3,390	13,995	15,501
	FH-45 06/13	301	235	3,390	14,875	16,381
	FH-45 06/14	322	251	3,390	15,755	17,261
	FH-45 06/15	342	267	3,390	16,635	18,141
	FH-45 06/16	363	283	3,390	17,516	19,022
	FH-45 06/17	383	299	3,390	18,396	19,902
	FH-45 06/18	404	315	3,390	19,276	20,782
	FH-45 06/19	425	331	3,390	20,156	21,662
	FH-45 06/20	445	347	3,390	21,036	22,542

ELEVATION

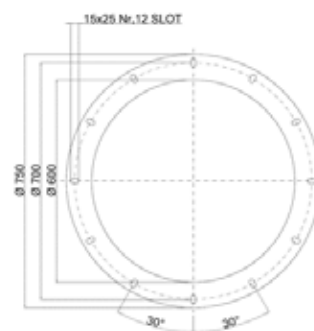


Legend & Details:

- A = Structure height
- B = Height to eave
- C = Overall height
- D = Bin sheets mean diameter
- E* = Outlet collar clearance = 1000 mm
- F* = Outlet collar inside diameter = 600 mm
- G* = Roof cap diameter = 900 mm
(max. diam. of inlet pipe 420 mm)

* = Fixed dimensions

HOPPER OUTLET DETAIL



Note:

The maximum capacity of the silo is calculated assuming an angle of repose of 28 degrees & based on uncompacted cereals weight of 780kg/m³.

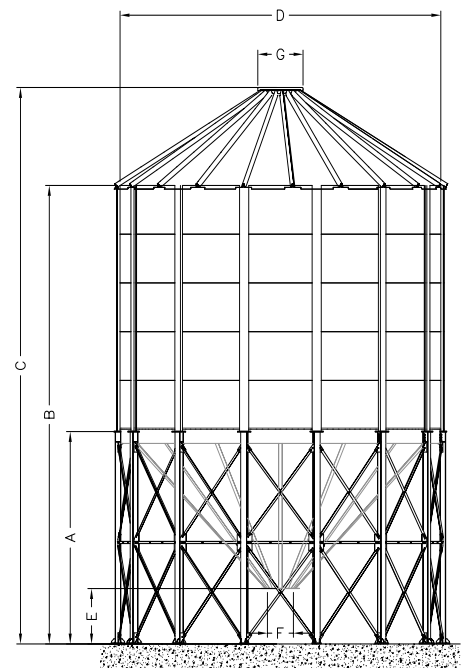
Standard silos are designed to meet:

- 144 km/h gusted wind speed
- 75 kg/m² of snow load on the roof
- No seismic zone

Standard roof peak capacity from 500 to 1000 kg depending on silo model.

DIAMETER (m) (FEET)	MODEL	FH SERIES 45° HOPPER SILO					
		CAPACITIES		HEIGHTS			
		m ³	Tons	A (m)	B (m)	C (m)	
FH-45 07 D= 6,37 m (21 FT)	FH-45 07/05	193	151	3,835	8,279	10,047	
	FH-45 07/06	221	172	3,835	9,160	10,928	
	FH-45 07/07	249	194	3,835	10,040	11,808	
	FH-45 07/08	277	216	3,835	10,920	12,688	
	FH-45 07/09	305	238	3,835	11,800	13,568	
	FH-45 07/10	333	260	3,835	12,680	14,448	
	FH-45 07/11	361	282	3,835	13,560	15,328	
	FH-45 07/12	389	304	3,835	14,440	16,208	
	FH-45 07/13	417	325	3,835	15,320	17,088	
	FH-45 07/14	445	347	3,835	16,200	17,968	
	FH-45 07/15	473	369	3,835	17,080	18,848	
	FH-45 07/16	501	391	3,835	17,961	19,729	
	FH-45 07/17	529	413	3,835	18,841	20,609	
	FH-45 07/18	557	435	3,835	19,721	21,489	
	FH-45 07/19	585	457	3,835	20,601	22,369	
	FH-45 07/20	613	478	3,835	21,481	23,249	
	FH-45 07/21	641	500	3,835	22,361	24,129	
	FH-45 07/22	669	522	3,835	23,241	25,009	
	FH-45 07/23	697	544	3,835	24,121	25,889	
	FH-45 08 D= 7,28 m (24 FT)	FH-45 08/05	262	204	4,294	8,738	10,769
		FH-45 08/06	298	233	4,294	9,619	11,650
FH-45 08/07		335	261	4,294	10,499	12,530	
FH-45 08/08		372	290	4,294	11,379	13,410	
FH-45 08/09		408	318	4,294	12,259	14,290	
FH-45 08/10		445	347	4,294	13,139	15,170	
FH-45 08/11		481	376	4,294	14,019	16,050	
FH-45 08/12		518	404	4,294	14,899	16,930	
FH-45 08/13		555	433	4,294	15,779	17,810	
FH-45 08/14		591	461	4,294	16,659	18,690	
FH-45 08/15		628	490	4,294	17,539	19,570	
FH-45 08/16		664	518	4,294	18,420	20,451	
FH-45 08/17	701	547	4,294	19,300	21,331		
FH-45 08/18	738	575	4,294	20,180	22,211		
FH-45 08/19	774	604	4,294	21,060	23,091		
FH-45 08/20	811	632	4,294	21,940	23,971		
FH-45 08/21	847	661	4,294	22,820	24,851		
FH-45 08/22	884	690	4,294	23,700	25,731		
FH-45 08/23	921	718	4,294	24,580	26,611		
FH-45 08/24	957	747	4,294	25,460	27,491		
FH-45 08/25	994	775	4,294	26,340	28,371		

ELEVATION

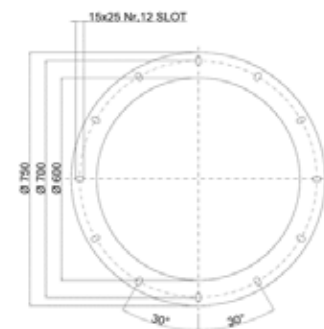


Legend & Details:

- A = Structure height
- B = Height to eave
- C = Overall height
- D = Bin sheets mean diameter
- E* = Outlet collar clearance = 1000 mm
- F* = Outlet collar inside diameter = 600 mm
- G* = Roof cap diameter = 900 mm
(max. diam. of inlet pipe 420 mm)

* = Fixed dimensions

HOPPER OUTLET DETAIL



Note:

The maximum capacity of the silo is calculated assuming an angle of repose of 28 degrees & based on uncompacted cereals weight of 780kg/m³.

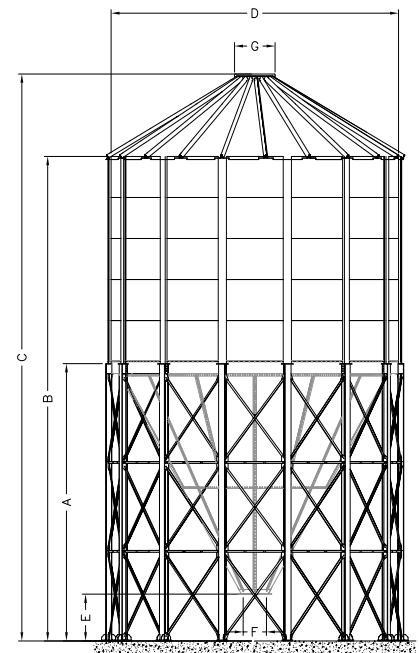
Standard silos are designed to meet:

- 144 km/h gusted wind speed
- 75 kg/m² of snow load on the roof
- No seismic zone

Standard roof peak capacity from 500 to 1000 kg depending on silo model.

DIAMETER (m) (FEET)	MODEL	FH SERIES 60° HOPPER SILO				
		CAPACITIES		HEIGHTS		
		m ³	Tons	A (m)	B (m)	C (m)
FH-60 04 D= 3,64 m (12 FT)	FH-60 04/05	61	48	3,590	8,034	9,015
	FH-60 04/06	70	55	3,590	8,915	9,896
	FH-60 04/07	79	62	3,590	9,795	10,776
	FH-60 04/08	89	69	3,590	10,675	11,656
	FH-60 04/09	98	76	3,590	11,555	12,536
	FH-60 04/10	107	83	3,590	12,435	13,416
	FH-60 04/11	116	91	3,590	13,315	14,296
	FH-60 04/12	125	98	3,590	14,195	15,176
	FH-60 04/13	134	105	3,590	15,075	16,056
	FH-60 05/05	101	79	4,380	8,824	10,067
	FH-60 05/06	115	90	4,380	9,705	10,948
	FH-60 05/07	130	101	4,380	10,585	11,828
	FH-60 05/08	144	112	4,380	11,465	12,708
FH-60 05/09	158	123	4,380	12,345	13,588	
FH-60 05/10	173	135	4,380	13,225	14,468	
FH-60 05/11	187	146	4,380	14,105	15,348	
FH-60 05/12	201	157	4,380	14,985	16,228	
FH-60 05/13	215	168	4,380	15,865	17,108	
FH-60 05/14	230	179	4,380	16,745	17,988	
FH-60 05/15	244	190	4,380	17,625	18,868	
FH-60 05/16	258	202	4,380	18,505	19,749	
FH-60 05/17	273	213	4,380	19,386	20,629	
FH-60 06/05	154	120	5,165	9,609	11,115	
FH-60 06/06	175	136	5,165	10,490	11,996	
FH-60 06/07	195	152	5,165	11,370	12,876	
FH-60 06/08	216	168	5,165	12,250	13,756	
FH-60 06/09	236	184	5,165	13,130	14,636	
FH-60 06/10	257	200	5,165	14,010	15,516	
FH-60 06/11	278	217	5,165	14,890	16,396	
FH-60 06/12	298	233	5,165	15,770	17,276	
FH-60 06/13	319	249	5,165	16,650	18,156	
FH-60 06/14	339	265	5,165	17,530	19,036	
FH-60 06/15	360	281	5,165	18,410	19,916	
FH-60 06/16	381	297	5,165	19,291	20,797	
FH-60 06/17	401	313	5,165	20,171	21,677	
FH-60 06/18	422	329	5,165	21,051	22,557	
FH-60 06/19	442	345	5,165	21,931	23,437	
FH-60 06/20	463	361	5,165	22,811	24,317	

ELEVATION

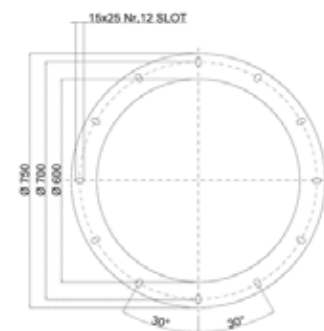


Legend & Details:

- A = Structure height
- B = Height to eave
- C = Overall height
- D = Bin sheets mean diameter
- E* = Outlet collar clearance = 1000 mm
- F* = Outlet collar inside diameter = 600 mm
- G* = Roof cap diameter = 900 mm
(max. diam. of inlet pipe 420 mm)

* = Fixed dimensions

HOPPER OUTLET DETAIL



Note:

The maximum capacity of the silo is calculated assuming an angle of repose of 28 degrees & based on uncompacted cereals weight of 780kgs/m³.

Standard silos are designed to meet:

- 144 km/h gusted wind speed
- 75 kg/m² of snow load on the roof
- No seismic zone

Standard roof peak capacity from 500 to 1000 kg depending on silo model.

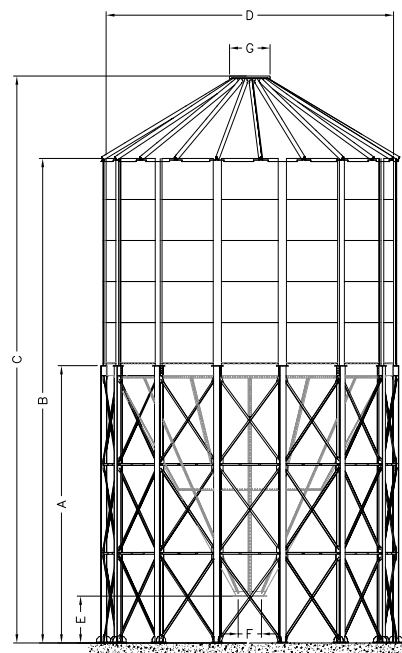
AGI EMEA S.R.L.

Head office: Via Bertella 2 - 40064 Ozzano dell'Emilia (BO) – Italy

P +39 051 798 107 | F +39 051 796 300 | E agiemea@aggrowth.com | framespa.com | ptmtechnology.com | aggrowth.com

DIAMETER (m) (FEET)	MODEL	FH SERIES 60° HOPPER SILO					
		CAPACITIES		HEIGHTS			
		m ³	Tons	A (m)	B (m)	C (m)	
FH-60 07 D= 6,37 m (21 FT)	FH-60 07/05	221	172	5,950	10,394	12,162	
	FH-60 07/06	249	194	5,950	11,275	13,043	
	FH-60 07/07	277	216	5,950	12,155	13,923	
	FH-60 07/08	305	238	5,950	13,035	14,803	
	FH-60 07/09	333	260	5,950	13,915	15,683	
	FH-60 07/10	361	281	5,950	14,795	16,563	
	FH-60 07/11	389	303	5,950	15,675	17,443	
	FH-60 07/12	417	325	5,950	16,555	18,323	
	FH-60 07/13	445	347	5,950	17,435	19,203	
	FH-60 07/14	473	369	5,950	18,315	20,083	
	FH-60 07/15	501	391	5,950	19,195	20,963	
	FH-60 07/16	529	413	5,950	20,076	21,844	
	FH-60 07/17	557	434	5,950	20,956	22,724	
	FH-60 07/18	585	456	5,950	21,836	23,604	
	FH-60 07/19	613	478	5,950	22,716	24,484	
	FH-60 07/20	641	500	5,950	23,596	25,364	
	FH-60 07/21	669	522	5,950	24,476	26,244	
	FH-60 07/22	697	544	5,950	25,356	27,124	
	FH-60 07/23	725	566	5,950	26,236	28,004	
	FH-60 08 D= 7,28 m (24 FT)	FH-60 08/05	303	236	6,735	11,179	13,210
		FH-60 08/06	340	265	6,735	12,060	14,091
FH-60 08/07		376	293	6,735	12,940	14,971	
FH-60 08/08		413	322	6,735	13,820	15,851	
FH-60 08/09		449	350	6,735	14,700	16,731	
FH-60 08/10		486	379	6,735	15,580	17,611	
FH-60 08/11		523	408	6,735	16,460	18,491	
FH-60 08/12		559	436	6,735	17,340	19,371	
FH-60 08/13		596	465	6,735	18,220	20,251	
FH-60 08/14		632	493	6,735	19,100	21,131	
FH-60 08/15		669	522	6,735	19,980	22,011	
FH-60 08/16		706	550	6,735	20,861	22,892	
FH-60 08/17		742	579	6,735	21,741	23,772	
FH-60 08/18		779	607	6,735	22,621	24,652	
FH-60 08/19		815	636	6,735	23,501	25,532	
FH-60 08/20	852	664	6,735	24,381	26,412		
FH-60 08/21	889	693	6,735	25,261	27,292		
FH-60 08/22	925	722	6,735	26,141	28,172		
FH-60 08/23	962	750	6,735	27,021	29,052		
FH-60 08/24	998	779	6,735	27,901	29,932		
FH-60 08/25	1,035	807	6,735	28,781	30,812		

ELEVATION

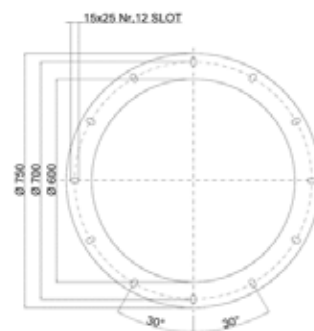


Legend & Details:

- A = Structure height
- B = Height to eave
- C = Overall height
- D = Bin sheets mean diameter
- E* = Outlet collar clearance = 1000 mm
- F* = Outlet collar inside diameter = 600 mm
- G* = Roof cap diameter = 900 mm
(max. diam. of inlet pipe 420 mm)

* = Fixed dimensions

HOPPER OUTLET DETAIL



Note:

The maximum capacity of the silo is calculated assuming an angle of repose of 28 degrees & based on uncompacted cereals weight of 780kgs/m³.

Standard silos are designed to meet:

- 144 km/h gusted wind speed
- 75 kg/m² of snow load on the roof
- No seismic zone

Standard roof peak capacity from 500 to 1000 kg depending on silo model.

AGI EMEA S.R.L.

Head office: Via Bertella 2 - 40064 Ozzano dell'Emilia (BO) – Italy

P +39 051 798 107 | F +39 051 796 300 | E agiemea@aggrowth.com | framespa.com | ptmtechnology.com | aggrowth.com