

# FRAME TECHNICAL DATASHEET

## ROOF FAN TOR015



### APPLICATIONS:

The fans of this series are suitable for sucking clean or slightly dusty air. They are particularly proper to be installed on the silos roofs ensuring the air charge.

The particular shape of the impeller with reversed blades assures a high efficiency. In the standard execution, the temperature of the sucked fluid must not exceed 40°C

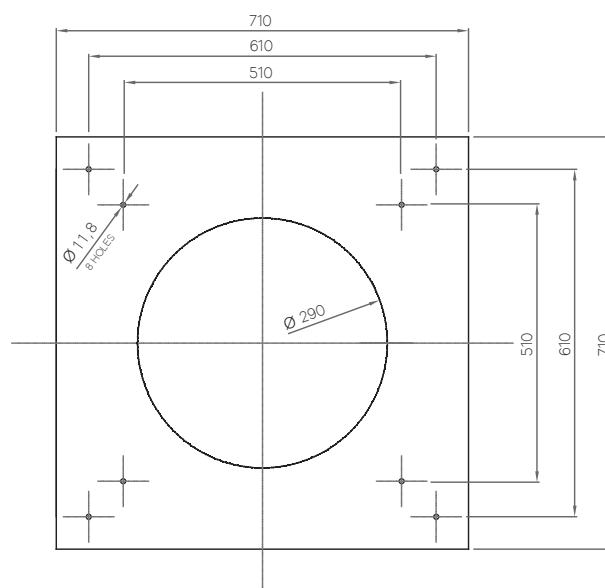
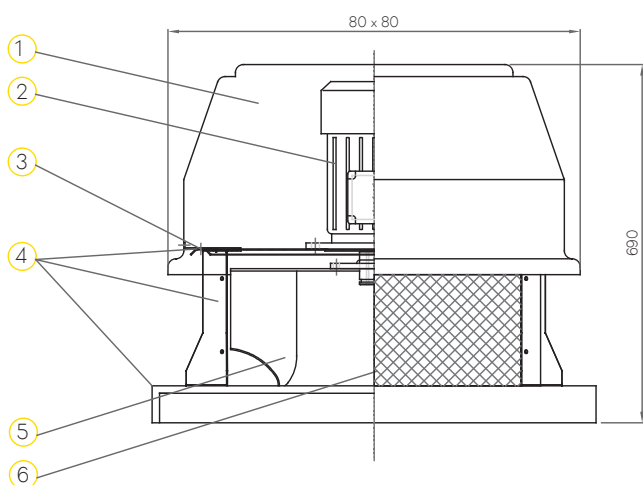
### TECHNICAL FEATURES:

Base made in galvanized steel sheet, cowl made in fiberglass, centrifugal impeller with reversed blades made in galvanized steel sheet, net against birds, the air discharge is horizontal. All the carpentries are subject to a treatment of hot deep galvanization according to the norms UNI EN ISO 1461 with a middle thickness of the covering minimum from 55 to 70  $\mu$ m according to the thickness of the steel.

### OPERATING RANGE:

pt = 1 - 60 mm.  $H_2O$  - Q = 2800 - 7800 mc/h.

### BASIC DIMENSIONS



1 - COWL MADE IN FIBERGLASS

2 - ELECTRIC MOTOR 1,5 kW, 4 POLE, IE2 eff. WITH DRAINAGE HOLES

3 - NUTS AND BOLTS MADE IN AISI 304

4 - STRUCTURE MADE IN HOT DIP GALVANIZED REINFORCED

5 - CENTRIFUGAL IMPELLER WITH REVERSED BLADES MADE IN GALVANIZED STEEL SHEET

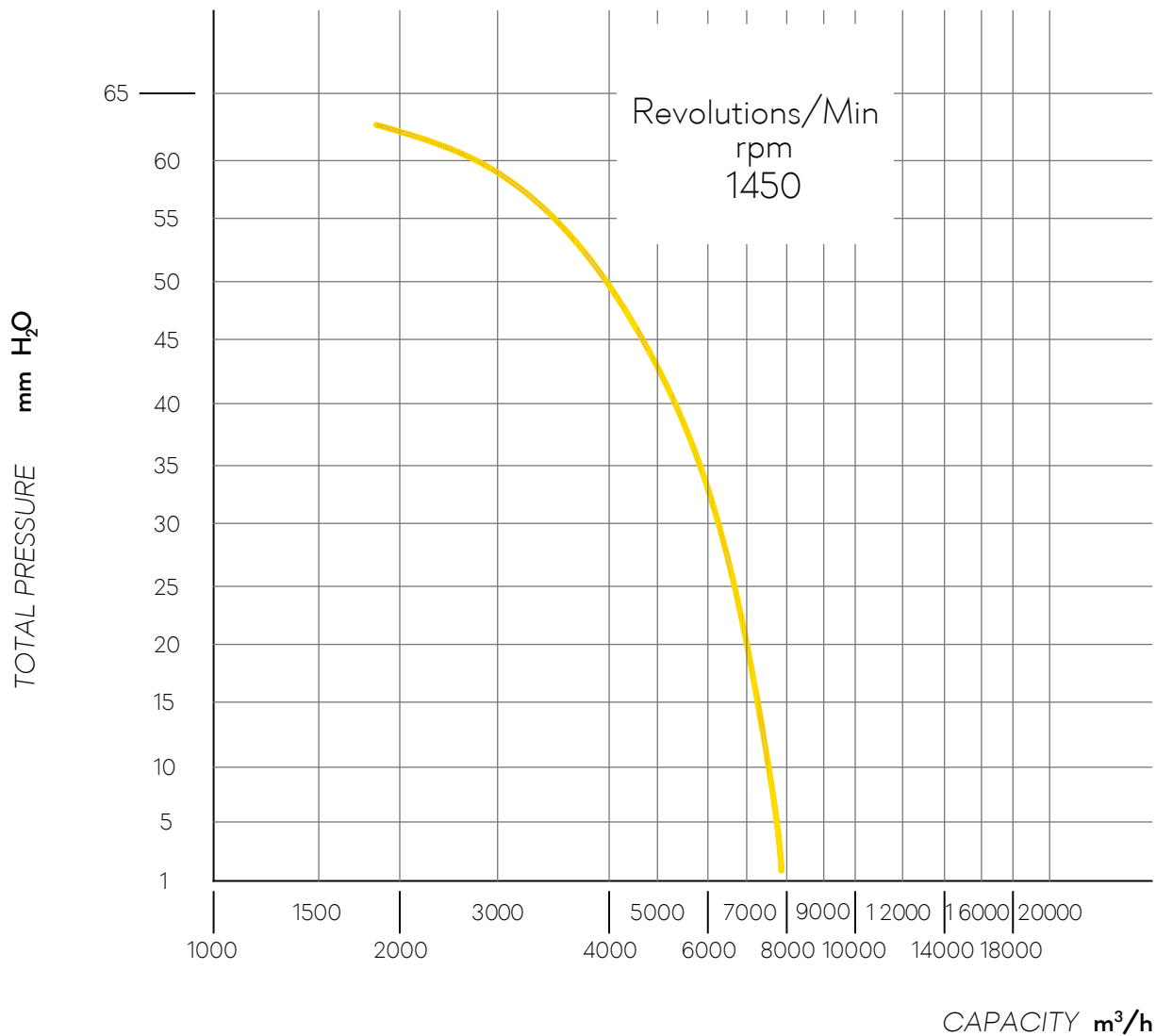
6 - NET AGAINST BIRDS

# FRAME TECHNICAL DATASHEET

## ROOF FAN TOR015



### PERFORMANCE



NOISE LEVEL TOLERANCE +3 dB(A)  
 ABSORBED POWER TOLERANCE Ø 3%

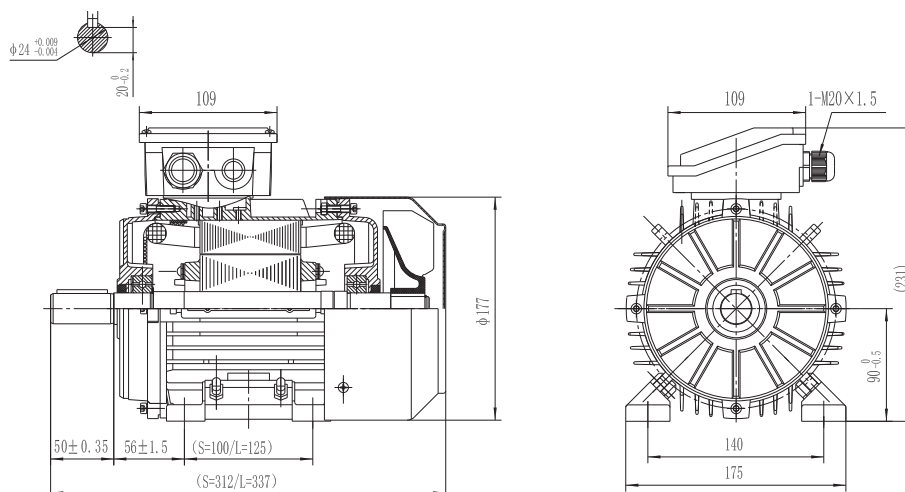
Performances are referred to an environmental temperature of 15°C - altitude of 0 meters - p = 1,226 kg/m<sup>3</sup>  
 The values of noisiness' brought are referred to a distance of measurement of two meters in free field with canalized fan.

# FRAME TECHNICAL DATASHEET

## ROOF FAN TOR015

**FRAME**

www.framespa.it



Electrical data			
Rated motor power	1.5		Kw
Rated motor speed	1440		min <sup>-1</sup> 50Hz
	1730		min <sup>-1</sup> 60Hz
Rated motor frequency	50		Hz
Rated motor voltage(+/-10%)	230		VΔ/50Hz
	400		VY/50Hz
	280		VΔ/50Hz
	480		VY/60Hz
Rated motor torque	10.09		Nm (Mn)
Rated motor current	6.15	VΔ/50Hz	A (In)
	3.55	VY/50Hz	A (In)
Starting motor current	6.5		xIn
Starting motor torque	3.1		xMn
Breakdown motor torque	3.2		xMn
Starting			D.O.L.
Efficiency class	IE2		
Efficiency	50Hz	60Hz	
	82.8	85.8	100% load
	83.4	85.7	75% load
	81.8	83.5	50% load
Power factor cosφ	0.74	0.74	100% load

General data			
Frame size	90		
Mounting	B3		
Weight	16.45		Kg
Casing material	Aluminum		
Protection	IP		55
Insulation class/Temperature rise	F	/	B
Tropicalization	Yes		
Vibration class	N		
Duty	S1		
Direction of rotation	Bidirectional		
Method of cooling	IC		411
Cable entry	1-M20x1,5		
Standards	IEC/DIN/ISO/VDE/EN		
Execute at Standard	IEC 60034-1		
Feet removable	Yes		
Paintwork	RAL	7024	dark grey
Thermal protections	n/a		

Site conditions	
Ambient temperature	from - 20°C to +40°C
Altitude above sea level	1000 m

Mechanical data					
Noise level	LpA	70	dB(A)	Bearing DE side	6205-2RS-C3
	LwA	80	dB(A)	Bearing NDE side	6205-2RS-C3
Moment of inertia	0.00419		Kgm <sup>2</sup>	Average bearing lifetime	40000 h
Bearings type			NSK	Relubrication interval L1 DE bearing	life h
Lubricants for bearings	See installation and maintenance manual page 12			Relubrication interval L1 NDE bearing	life h
				Compensation ring	NDE SIDE