



APPLICATIONS

The fans of this series are suitable for sucking clean or slightly dusty air and they are mainly used in plants where it is requested to convey great volumes of air and therefore. The particular shape of the impeller with reversed blades assures a high efficiency.

In the standard execution the temperature of sucked fluid must not exceed 80°C.

TECHNICAL FEATURES

Scroll made in beaded and welded steel, impeller with reversed blades made in welded steel dynamically balanced, motor support made in welded sheet steel and steel sections, hopper in welded steel. The thickness of the metal sheet of the various components goes from 15/10 mm to 50/10 mm.

All the carpentries are subject to a treatment of hot deep galvanization according to the norms UNI EN ISO 1461 with a middle thickness of the covering minimum from 55 to 70 µm according to the thickness of the steel.

OPERATING RANGE

Pt = 150 - 350 mm. H₂O - Q = 6700 - 18.900 mc/h.

As optional, we can also offer the following items:

- > Fan Version on trolley with handles and wheels for handling;
- > Standard version for temperatures until -20 °C;
- > Special version for temperatures until -32 °C;
- > Electric on/off switch panel placed on the board of the fan, in protection class IP 56;
- > Anti-condensation motor heaters for tropical or low temperature environments.

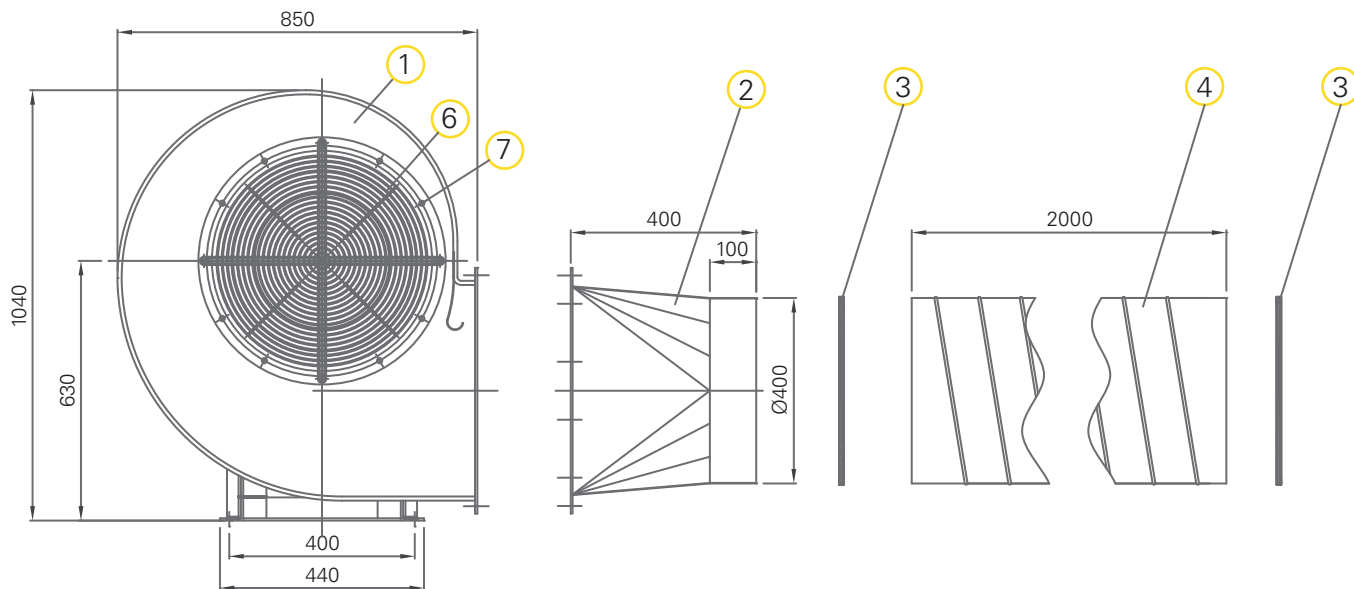
— FAN VFIS150Z

FRAME TECHNICAL DATASHEET

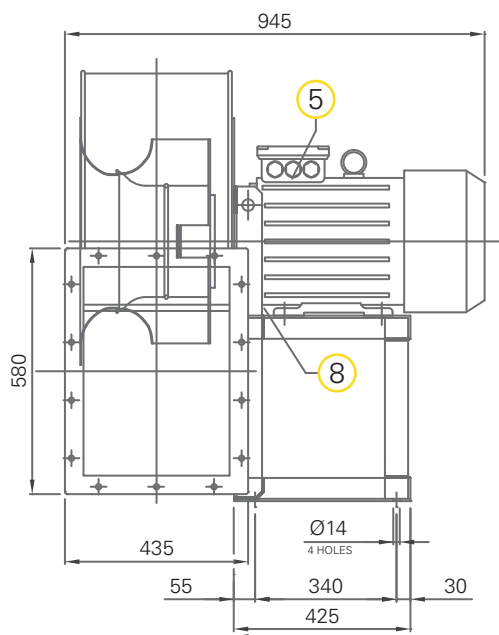
FRAME SILO FAN VFIS150Z



www.framespa.it

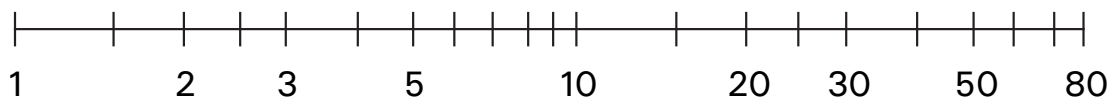
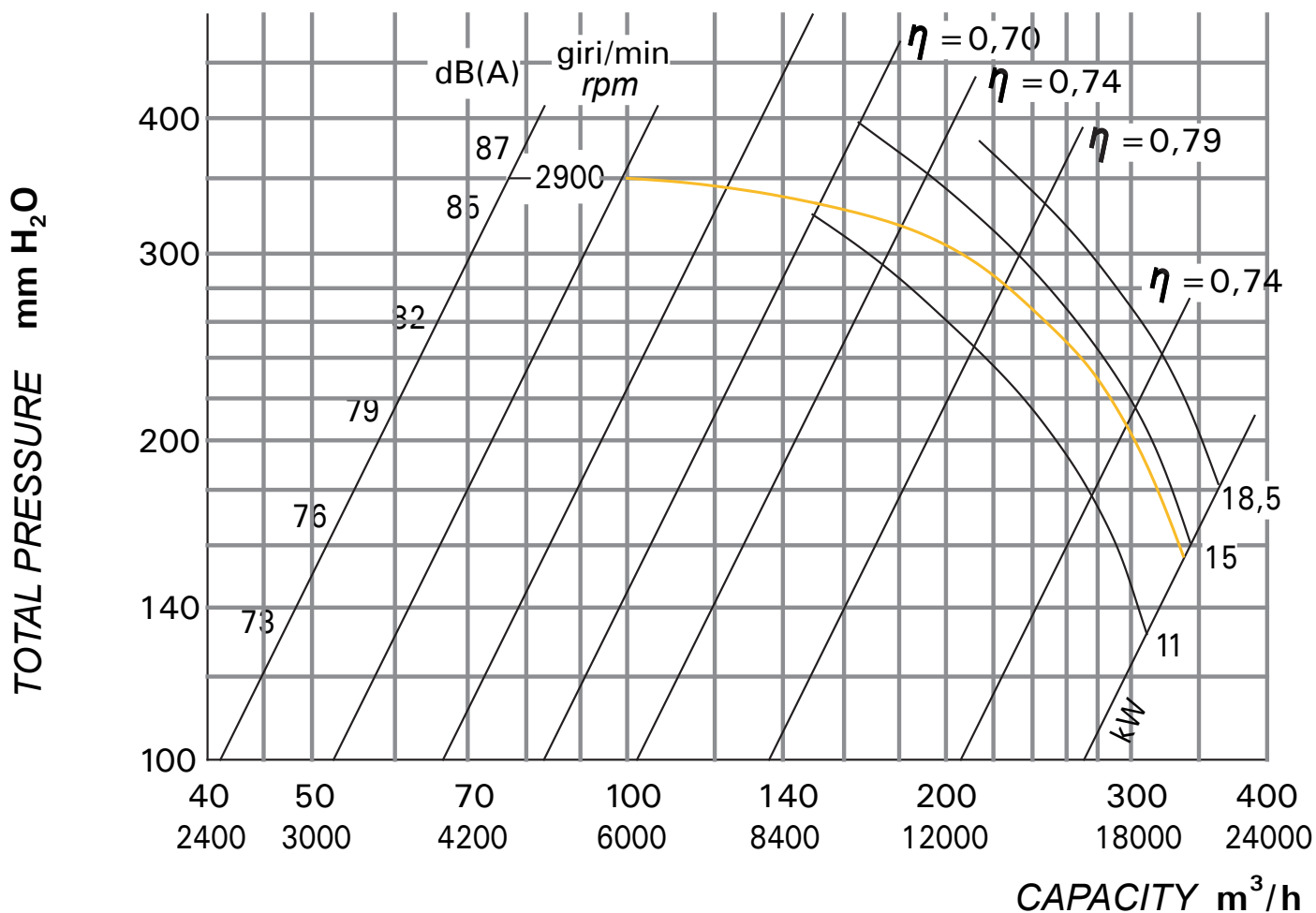


FRONT VIEW
OUTLET SIDE



LEGEND

- 1 - SCROLL MADE IN FE SHEET HOT DEEP GALVANIZED ACCORDING TO THE NORMS UNI EN ISO 1461
- 2 - HOPPER MADE IN WELDED FE SHEET HOT DEEP GALVANIZED.
- 3 - WRAPPER
- 4 - SPIRALIZED PIPE
- 5 - ELECTRIC MOTOR 15 kW, 2 POLE, IE2 eff. - WITH DRAINAGE HOLES
- 6 - PROTECTION NET
- 7 - NUTS AND BOLTS MADE IN AISI 304
- 8 - DRAINAGE HOLE



DYNAMIC PRESSURE mm H₂O

NOISE LEVEL TOLERANCE +3 Db(A) ABSORBED POWER TOLERANCE ±3%

Performances are referred to an environmental temperature of 15°C – altitude of 0 meters - p = 1,226 kg/m³

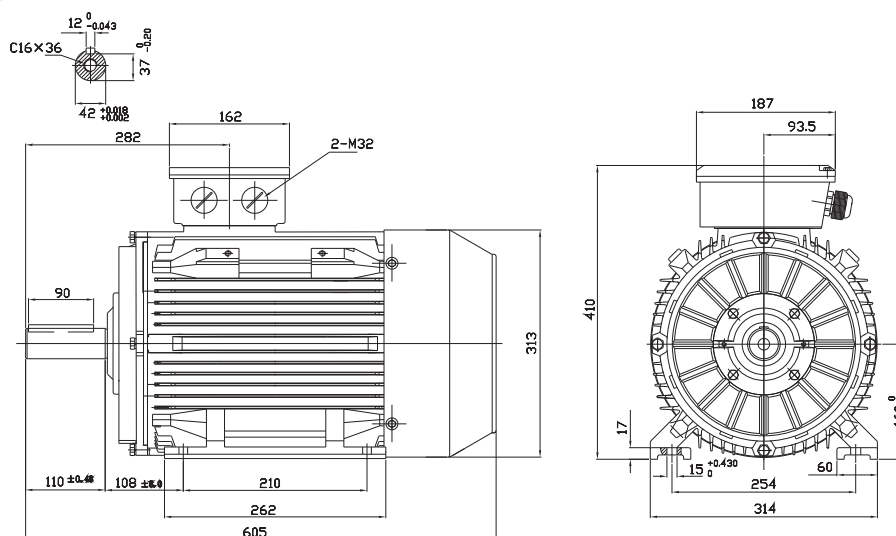
The values of noisiness' brought are referred to a distance of measurement of two meters in free fiel with canalized fan.

FRAME TECHNICAL DATASHEET

FRAME SILO FAN VFIS150Z



www.framespa.it



Electrical data				General data			
Rated motor power	15		Kw	Frame size	160		
Rated motor speed	2918		min ⁻¹ 50Hz	Mounting	B3		
	3505		min ⁻¹ 60Hz	Weight	132.2	Kg	
Rated motor frequency	50		Hz	Casing material	Cast iron		
Rated motor voltage(+/-10%)	400		VΔ/50Hz	Protection	IP	55	
	690		VY/50Hz	Insulation class/Temperature rise	F	/	B
	480		VΔ/60Hz	Tropicalization	Yes		
	830		VY/60Hz	Vibration class	N		
Rated motor torque	48.72		Nm (Mn)	Duty	S1		
Rated motor current	26.35	VΔ/50Hz	A (In)	Direction of rotation	Bidirectional		
	15.23	VΔ/50Hz	A (In)	Method of cooling	IC	411	
Starting motor current	9		xIn	Cable entry	2-M32x1,5+1M16x1,5		
Starting motor torque	2.5		xMn	Standards	IEC/DIN/ISO/VDE/EN		
Breakdown motor torque	2.8		xMn	Execute at Standard	IEC 60034-1		
Starting			D.O.L.	Feet removable	Yes		
Efficiency class	IE2			Paintwork	RAL	7024	dark grey
	50Hz	60Hz		Thermal protections	n/a		
		90.3	90.3	100% load	Site conditions		
	90	92.5	75% load	Ambient temperature	from -20°C to +40°C		
Efficiency	90.3	90.6	50% load	Altitude above sea level	1000 m		
	Power factor cosφ	0.91	0.91	100% load			

Mechanical data			
Noise level	LpA	75	dB(A)
	LwA	84	dB(A)
Moment of inertia	0.06206		Kgmf
Bearings type			NSK
Lubricants for bearings	See installation and maintenance manual page 12		
	Bearing DE side		6309-C3
	Bearing NDE side		6309-C3
	Average bearing lifetime		40000 h
Relubrication interval L1 DE bearing		12000 h	
Relubrication interval L1 NDE bearing		12000 h	
Compensation ring		NDE SIDE standard	