



## APPLICATIONS

The fans of this series are suitable for sucking clean or slightly dusty air and they are mainly used in plants where it is requested to convey great volumes of air and therefore they are particularly proper for grain and feed drying and aeration of storage bins. The particular shape of the impeller with reversed blades assure a high efficiency.

In the standard execution the temperature of sucked fluid must not exceed 80°C.

## TECHNICAL FEATURES

Scroll made in beaded and welded steel, impeller with reversed blades made in welded steel dynamically balanced, motor support made in welded sheet steel and steel sections, hopper in welded steel. The thickness of the metal sheet of the various components go from 15/10 mm to 50/10 mm.

All the carpentries are subject to a treatment of hot deep galvanization according to the norms UNI EN ISO 1461 with a middle thickness of the covering minimum from 55 to 70 µm according to the thickness of the steel.

## OPERATING RANGE

Pt = 100 - 310 mm. H<sub>2</sub>O - Q = 6000 - 16.800 mc/h.

### As optional, we can also offer the following items:

- > Fan Version on trolley with handles and wheels for handling;
- > Standard version for temperatures until -20 °C;
- > Special version for temperatures until -32 °C;
- > Electric on/off switch panel placed on the board of the fan, in protection class IP 56;
- > Anti-condensation motor heaters for tropical or low temperature environments.



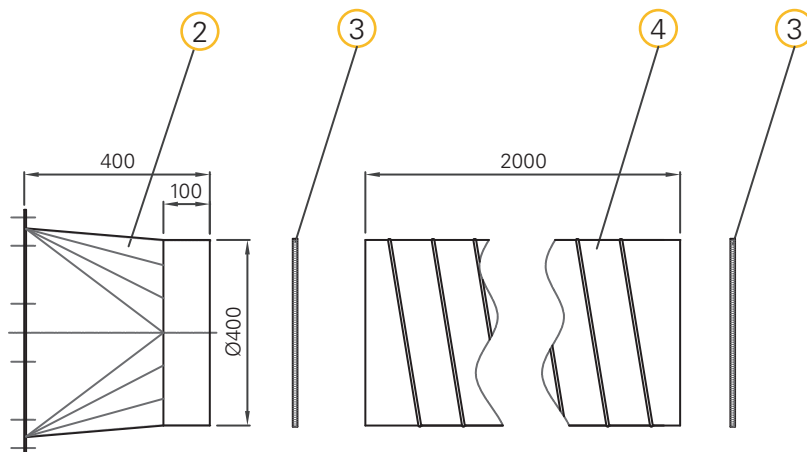
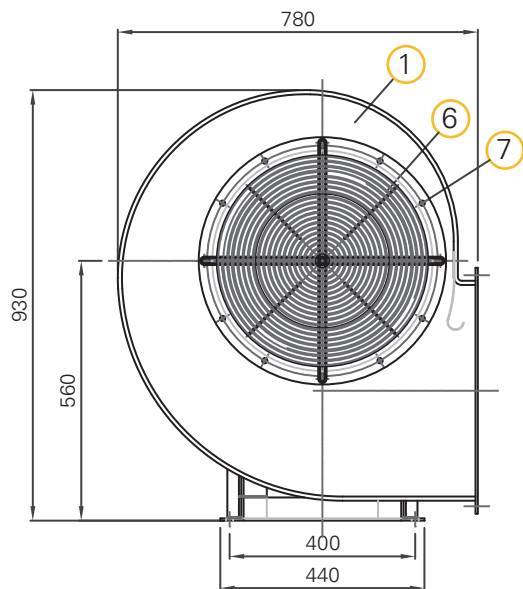
— FAN VFIS110Z

# FRAME TECHNICAL DATASHEET

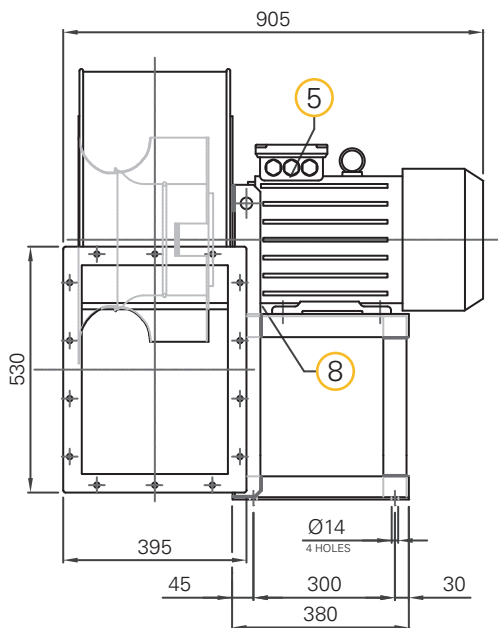
## FRAME SILO FAN VFIS110Z



www.framespa.it



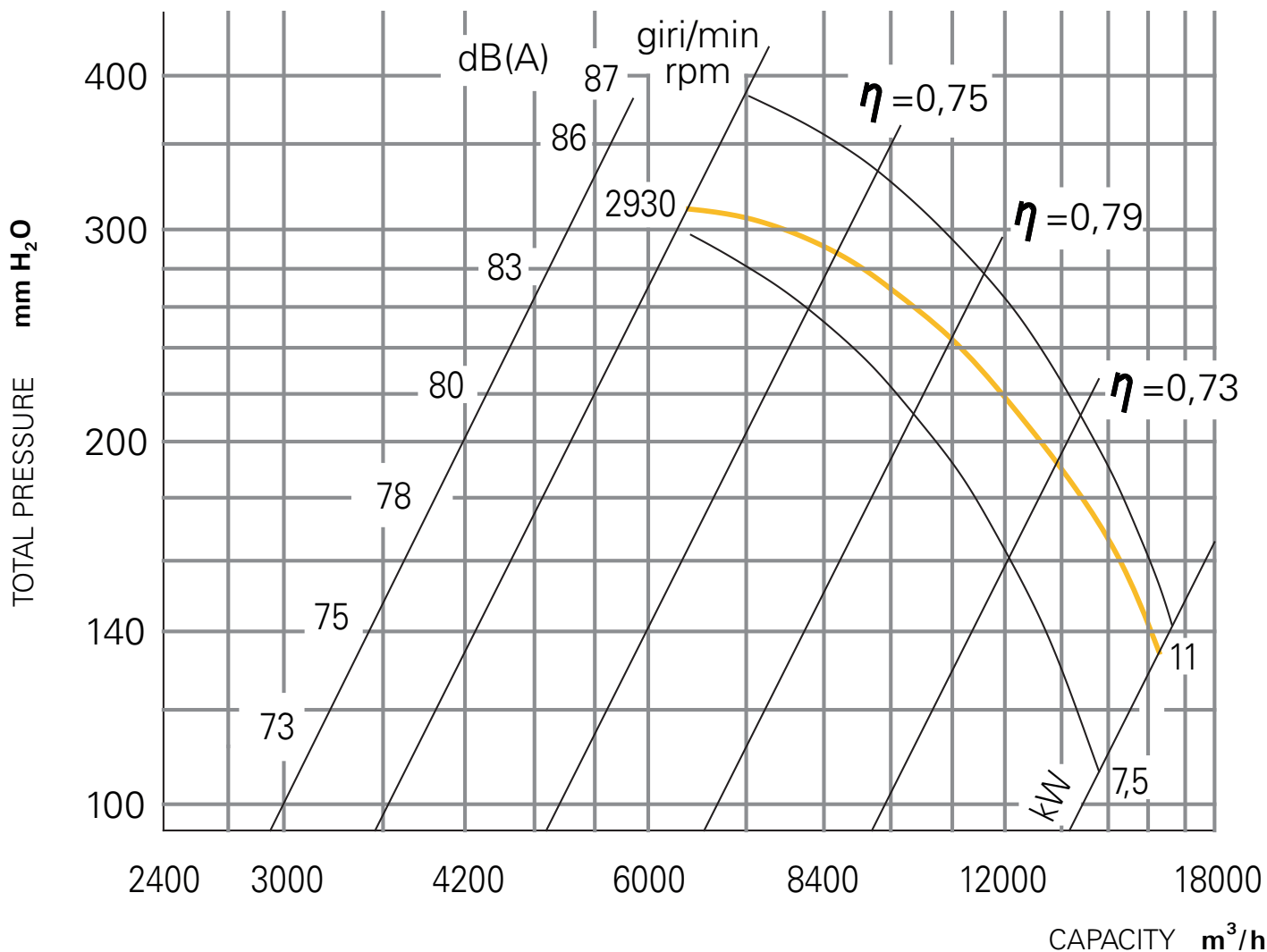
FRONT VIEW  
OUTLET SIDE



LEGEND

- 1 - SCROLL MADE IN FE SHEET HOT DEEP GALVANIZED ACCORDING TO THE NORMS UNI EN ISO 1461
- 2 - HOPPER MADE IN WELDED FE SHEET HOT DEEP GALVANIZED.
- 3 - WRAPPER
- 4 - SPIRALIZED PIPE
- 5 - ELECTRIC MOTOR 11 kW, 2 POLE, IE2 eff. - WITH DRAINAGE HOLES
- 6 - PROTECTION NET
- 7 - NUTS AND BOLTS MADE IN AISI 304
- 8 - DRAINAGE HOLE

Rif. 57x0018 Rev. 0 - FRAME reserves the right to change specification without prior notice.



Rif. 57x0018 Rev. 0 - FRAME reserves the right to change specification without prior notice.

NOISE LEVEL TOLERANCE +3 Db(A) ABSORBED POWER TOLERANCE ±3%

Performances are referred to an environmental temperature of 15°C – altitude of 0 meters - p = 1,226 kg/m<sup>3</sup>

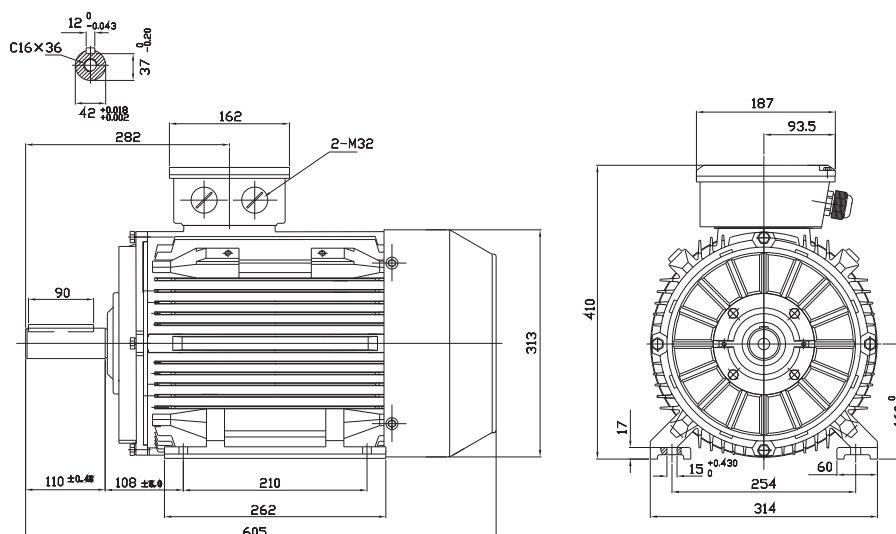
The values of noisiness' brought are referred to a distance of measurement of two meters in free field with canalized fan.

# FRAME TECHNICAL DATASHEET

## FRAME SILO FAN VFIS110Z

**FRAME**

www.framespa.it



Electrical data				General data			
Rated motor power	11		Kw	Frame size	160		
Rated motor speed	2920		min <sup>-1</sup> 50Hz	Mounting	B3		
	3505		min <sup>-1</sup> 60Hz	Weight	113	Kg	
Rated motor frequency	50		Hz	Casing material	Cast iron		
Rated motor voltage( +/-10%)	400		VΔ/50Hz	Protection	IP	55	
	690		VY/50Hz	Insulation class/Temperature rise	F	/	B
	480		VΔ/60Hz	Tropicalization	Yes		
	830		VY/60Hz	Vibration class	N		
Rated motor torque	35.85		Nm (Mn)	Duty	S1		
Rated motor current	19.73	VΔ/50Hz	A (In)	Direction of rotation	Bidirectional		
	11.4	VΔ/50Hz	A (In)	Method of cooling	IC	411	
Starting motor current	8.5		xIn	Cable entry	2-M32x1,5+1M16x1,5		
Starting motor torque	2.5		xMn	Standards	IEC/DIN/ISO/VDE/EN		
Breakdown motor torque	2.8		xMn	Execute at Standard	IEC 60034-1		
Starting			D.O.L.	Feet removable	Yes		
Efficiency class	IE2			Paintwork	RAL	7024	dark grey
Efficiency	50Hz	60Hz		Thermal protections	n/a		
	89.4	90.2	100% load				
	89.5	91.9	75% load				
	89.4	90	50% load				
Power factor cosφ	0.9	0.9	100% load				

Mechanical data				Site conditions			
Noise level	LpA	75	dB(A)	Ambient temperature	from -20°C to +40°C		
	LwA	84	dB(A)	Altitude above sea level	1000 m		
Moment of inertia	0.04561		Kgmf				
Bearings type			NSK				
Lubricants for bearings	See installation and maintenance manual page 12			Bearing DE side	6309-C3		
				Bearing NDE side	6309-C3		
				Average bearing lifetime	40000	h	
				Relubrication interval L1 DE bearing	12000	h	
			Relubrication interval L1 NDE bearing	12000	h		
			Compensation ring	NDE SIDE	standard		