

FRAME TECHNICAL DATASHEET

FRAME SILO FAN VFIS040Z



— FAN VFIS040Z

APPLICATIONS

The fans of this series are suitable for sucking clean or slightly dusty air and they are mainly used in plants where it is requested to convey great volumes of air and therefore they are particularly proper for grain and feed drying and aeration of storage bins.

The particular shape of the impeller with reversed blades assure a high efficiency.

In the standard execution the temperature of sucked fluid must not exceed 80°C.

TECHNICAL FEATURES

Scroll made in beaded and welded steel, impeller with reversed blades made in welded steel dynamically balanced, motor support made in welded sheet steel and steel sections, hopper in welded steel.

The thickness of the metal sheet of the various components go from 15/10 mm to 50/10 mm.

All the carpentries are subject to a treatment of hot deep galvanization according to the norms UNI EN ISO 1461 with a middle thickness of the covering minimum from 55 to 70 µm according to the thickness of the steel.

OPERATING RANGE

Pt = 100 - 310 mm. H₂O - Q = 6000 - 16.800 mc/h.

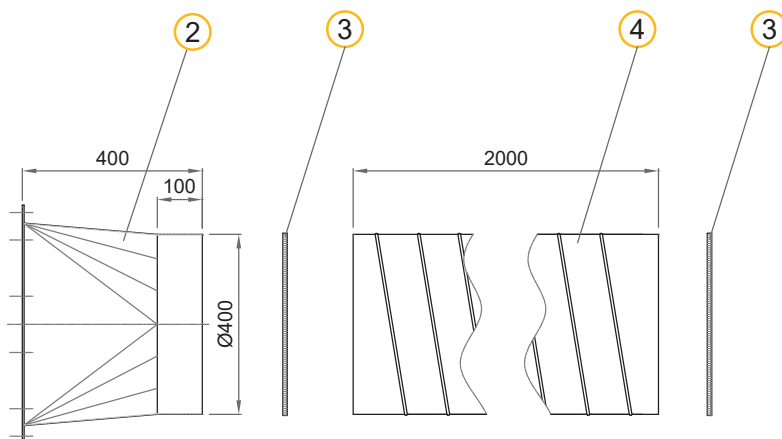
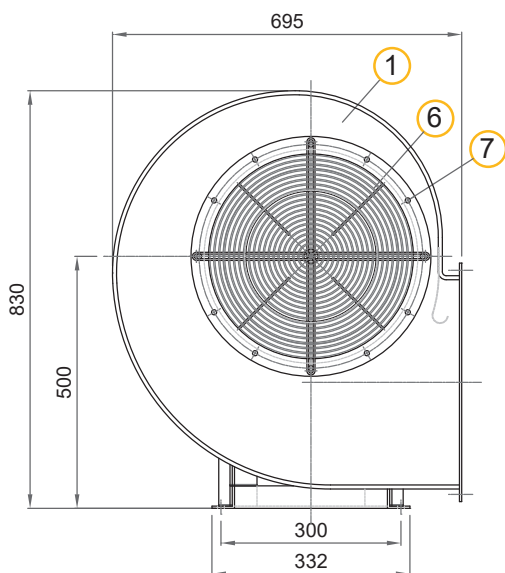
As optional, we can also offer the following items:

- › Fan Version on trolley with handles and wheels for handling;
- › Standard version for temperatures until -20 °C;
- › Special version for temperatures until -32 °C;
- › Electric on/off switch panel placed on the board of the fan, in protection class IP 56;
- › Anti-condensation motor heaters for tropical or low temperature environments.

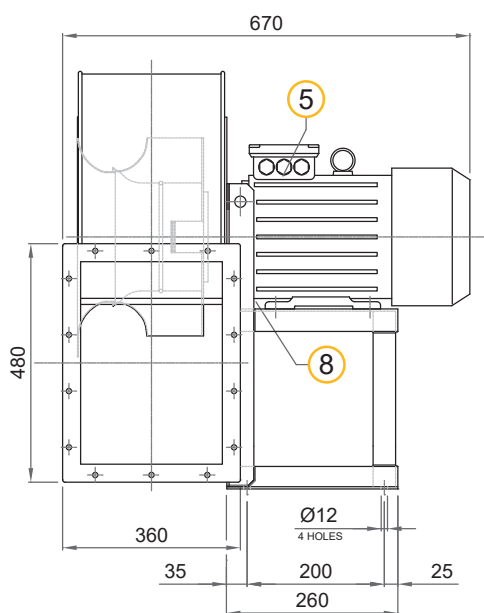
FRAME TECHNICAL DATASHEET

FRAME SILO FAN VFIS040Z

LATERAL VIEW
INLET SIDE



FRONT VIEW
OUTLET SIDE



LEGEND

- 1 - SCROLL MADE IN FE SHEET HOT DEEP GALVANIZED ACCORDING TO THE NORMS UNI EN ISO 1461
- 2 - HOPPER MADE IN WELDED FE SHEET HOT DEEP GALVANIZED.
- 3 - WRAPPER
- 4 - SPIRALIZED PIPE
- 5 - ELECTRIC MOTOR 2,2 kW, 2 POLES, IE2 eff. - WITH DRAINAGE HOLES
- 6 - PROTECTION NET
- 7 - NUTS AND BOLTS MADE IN AISI 304
- 8 - DRAINAGE HOLE

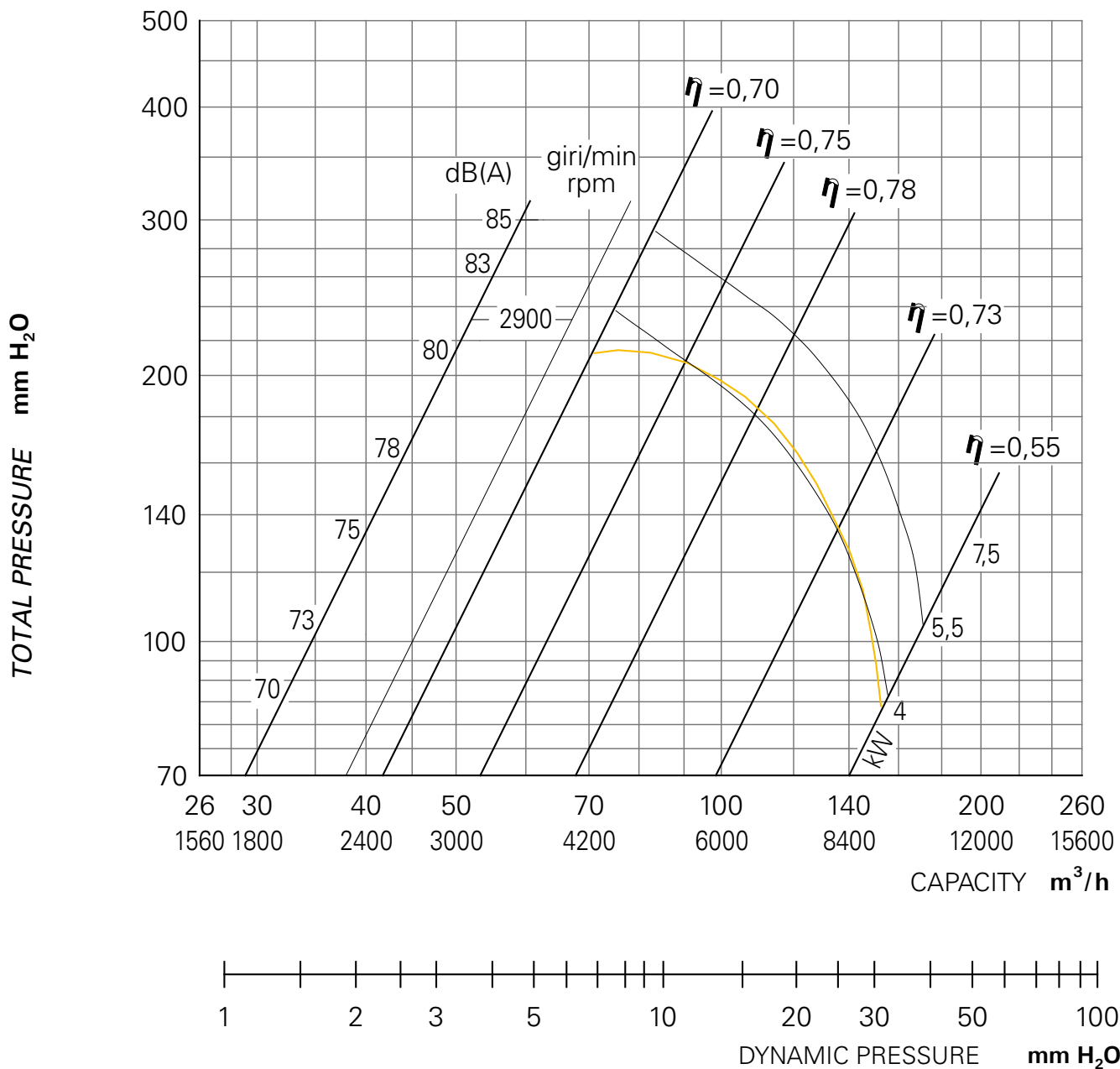
Rif. 557x0016 Rev. 0 - FRAME reserves the right to change specification without prior notice.

FRAME TECHNICAL DATASHEET

FRAME SILO FAN VFIS040Z



www.framespa.it



Rif. 557X0016 Rev. 0 - FRAME reserves the right to change specification without prior notice.

NOISE LEVEL TOLERANCE +3 Db(A) ABSORBED POWER TOLERANCE ±3%

Performances are referred to an environmental temperature of 15°C – altitude of 0 meters - ρ = 1,226 kg/m³

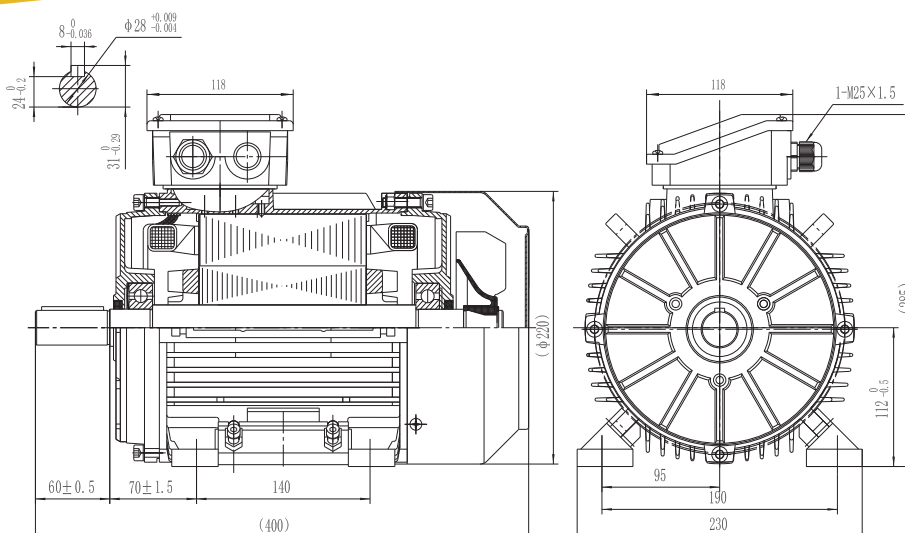
The values of noisiness' brought are referred to a distance of measurement of two meters in free field with canalized fan.

FRAME TECHNICAL DATASHEET

FRAME SILO FAN VFIS040Z

FRAME

www.framespa.it



Electrical data				General data			
Rated motor power	4		Kw	Frame size	112		
Rated motor speed	2910		min ⁻¹ 50Hz	Mounting	B3		
	3495		min ⁻¹ 60Hz	Weight	26.7	Kg	
Rated motor frequency	50		Hz	Casing material	Aluminum		
Rated motor voltage(+ /-10%)	230		V€/50Hz	Protection	IP	55	
	400		VY/50Hz	Insulation class/Temperature rise	F	/	B
	280		V€/60Hz	Tropicalization	Yes		
	480		VY/60Hz	Vibration class	N		
Rated motor torque	13.13		Nm (Mn)	Duty	S1		
Rated motor current	13.16	VΔ/50Hz	A (In)	Direction of rotation	Bidirectional		
	7.61	VΔ/50Hz	A (In)	Method of cooling	IC	411	
Starting motor current	9.6		xIn	Cable entry	2-M25x1,5		
Starting motor torque	3.3		xMn	Standards	IEC/DIN/ISO/VE/EN		
Breakdown motor torque	3.6		xMn	Execute at Standard	IEC 60034-1		
Starting			D.O.L.	Feet removable	Yes		
Efficiency class	IE2			Paintwork	RAL	7024	dark grey
	Efficiency	50Hz	60Hz		Thermal protections	n/a	
		85.8	87.5	100% load			
		85.9	86.4	75% load			
	84.4	83.7	50% load				
Power factor cosφ	0.89	0.89	100% load				

Site conditions			
Ambient temperature	from -20°C to +40°C		
Altitude above sea level	1000 m		

Mechanical data			
Noise level	LpA	78	dB(A)
	LwA	88	dB(A)
Moment of inertia	0.00631		Kgm ^f
Bearings type			NSK
Lubricants for bearings	See installation and maintenance manual page 12		
	Bearing DE side	6306-2RS-C3	
	Bearing NDE side	6206-2RS-C3	
	Average bearing lifetime	40000	h
Relubrication interval L1 DE bearing	life	h	
Relubrication interval L1 NDE bearing	life	h	
Compensation ring	NDE SIDE	standard	