

FRAME TECHNICAL DATASHEET

FP SILO DIMENSIONS & CAPACITIES



www.framespa.it

DIAMETER METERS (feet)	MODEL NUMBER	HEIGHTS		CAPACITY	
		EAVES	OVERALL	m ³	Tons
		m	m		
3,64 m (12 FT)	FP 4/5	4,47	5,41	50	39
	FP 4/6	5,35	6,29	59	46
	FP 4/7	6,23	7,17	68	53
	FP 4/8	7,11	8,05	77	60
	FP 4/9	7,99	8,93	86	67
	FP 4/10	8,87	9,81	96	75
	FP 4/11	9,75	10,69	105	82
	FP 4/12	10,63	11,57	114	89
	FP 4/13	11,51	12,45	123	96
	FP 4/14	12,39	13,33	132	103
	FP 4/15	13,27	14,21	141	110
	FP 4/16	14,15	15,09	150	117
	FP 4/17	15,03	15,97	160	124
	FP 4/18	15,91	16,85	169	132
	FP 4/19	16,79	17,73	178	139
	FP 4/20	17,67	18,61	187	146
4,55 m (15 FT)	FP 5/5	4,47	5,67	79	62
	FP 5/6	5,35	6,55	93	73
	FP 5/7	6,23	7,43	108	84
	FP 5/8	7,11	8,31	122	95
	FP 5/9	7,99	9,19	136	106
	FP 5/10	8,87	10,07	151	117
	FP 5/11	9,75	10,95	165	129
	FP 5/12	10,63	11,83	179	140
	FP 5/13	11,51	12,71	194	151
	FP 5/14	12,39	13,59	208	162
	FP 5/15	13,27	14,47	222	173
	FP 5/16	14,15	15,35	236	184
	FP 5/17	15,03	16,23	251	196
	FP 5/18	15,91	17,11	265	207
	FP 5/19	16,79	17,99	279	218
	FP 5/20	17,67	18,87	294	229
FP 5/21	18,55	19,75	309	241	
FP 5/22	19,43	20,63	324	252	
FP 5/23	20,31	21,51	338	263	
FP 5/24	21,19	22,39	352	274	
FP 5/25	22,07	23,27	366	285	
5,46 m (18 FT)	FP 6/5	4,47	5,97	116	90
	FP 6/6	5,35	6,85	136	106
	FP 6/7	6,23	7,73	157	122
	FP 6/8	7,11	8,61	178	139
	FP 6/9	7,99	9,49	198	155
	FP 6/10	8,87	10,37	219	171
	FP 6/11	9,75	11,25	239	187
	FP 6/12	10,63	12,13	260	203
	FP 6/13	11,51	13,01	281	219
	FP 6/14	12,39	13,89	301	235
	FP 6/15	13,27	14,77	322	251
	FP 6/16	14,15	15,65	342	267
	FP 6/17	15,03	16,53	363	283
	FP 6/18	15,91	17,41	383	299
	FP 6/19	16,79	18,29	404	315
	FP 6/20	17,67	19,17	425	331
FP 6/21	18,55	20,05	445	347	
FP 6/22	19,43	20,93	466	363	
FP 6/23	20,31	21,81	486	379	
FP 6/24	21,19	22,69	507	395	
FP 6/25	22,07	23,57	528	412	
FP 6/26	22,95	24,45	548	428	
FP 6/27	23,83	25,33	569	444	
FP 6/28	24,71	26,21	589	460	
FP 6/29	25,59	27,09	610	476	
FP 6/30	26,47	27,97	631	492	
FP 6/31	27,35	28,85	651	508	
6,37 m (21 FT)	FP 7/7	6,23	8,03	216	169
	FP 7/8	7,11	8,91	244	191
	FP 7/9	7,99	9,79	272	212
	FP 7/10	8,87	10,67	300	234
	FP 7/11	9,75	11,55	328	256
	FP 7/12	10,63	12,43	356	278
	FP 7/13	11,51	13,31	384	300
	FP 7/14	12,39	14,19	412	322
	FP 7/15	13,27	15,07	440	344
	FP 7/16	14,15	15,95	468	365
	FP 7/17	15,03	16,83	497	387
	FP 7/18	15,91	17,71	525	409
	FP 7/19	16,79	18,59	553	431
	FP 7/20	17,67	19,47	581	453
	FP 7/21	18,55	20,35	609	475
	FP 7/22	19,43	21,23	637	497
FP 7/23	20,31	22,11	665	518	
FP 7/24	21,19	22,99	693	540	
FP 7/25	22,07	23,87	721	562	
FP 7/26	22,95	24,75	749	584	
FP 7/27	23,83	25,63	777	606	
FP 7/28	24,71	26,51	805	628	
FP 7/29	25,59	27,39	833	650	
FP 7/30	26,47	28,27	861	671	
FP 7/31	27,35	29,15	889	693	
FP 7/32	28,23	30,03	917	715	

DIAMETER METERS (feet)	MODEL NUMBER	HEIGHTS		CAPACITY	
		EAVES	OVERALL	m ³	Tons
		m	m		
7,28 m (24 FT)	FP 8/7	6,23	8,23	286	223
	FP 8/8	7,11	9,11	322	252
	FP 8/9	7,99	9,99	359	280
	FP 8/10	8,87	10,87	396	309
	FP 8/11	9,75	11,75	432	337
	FP 8/12	10,63	12,63	469	366
	FP 8/13	11,51	13,51	505	394
	FP 8/14	12,39	14,39	542	423
	FP 8/15	13,27	15,27	579	451
	FP 8/16	14,15	16,15	615	480
	FP 8/17	15,03	17,03	652	508
	FP 8/18	15,91	17,91	688	537
	FP 8/19	16,79	18,79	725	566
	FP 8/20	17,67	19,67	762	594
	FP 8/21	18,55	20,55	798	623
	FP 8/22	19,43	21,43	835	651
FP 8/23	20,31	22,31	871	680	
FP 8/24	21,19	23,19	908	708	
FP 8/25	22,07	24,07	945	737	
FP 8/26	22,95	24,95	981	765	
FP 8/27	23,83	25,83	1.018	794	
FP 8/28	24,71	26,71	1.054	822	
FP 8/29	25,59	27,59	1.091	851	
FP 8/30	26,47	28,47	1.128	880	
FP 8/31	27,35	29,35	1.164	908	
FP 8/32	28,23	30,23	1.201	937	
8,19 m (27 FT)	FP 9/8	7,11	9,41	412	322
	FP 9/9	7,99	10,29	459	358
	FP 9/10	8,87	11,17	505	394
	FP 9/11	9,75	12,05	551	430
	FP 9/12	10,63	12,93	598	466
	FP 9/13	11,51	13,81	644	502
	FP 9/14	12,39	14,69	690	538
	FP 9/15	13,27	15,57	737	575
	FP 9/16	14,15	16,45	783	611
	FP 9/17	15,03	17,33	829	647
	FP 9/18	15,91	18,21	876	683
	FP 9/19	16,79	19,09	922	719
	FP 9/20	17,67	19,97	968	755
	FP 9/21	18,55	20,85	1.015	791
	FP 9/22	19,43	21,73	1.061	827
	FP 9/23	20,31	22,61	1.107	864
FP 9/24	21,19	23,49	1.153	900	
FP 9/25	22,07	24,37	1.200	936	
FP 9/26	22,95	25,25	1.246	972	
FP 9/27	23,83	26,13	1.292	1.008	
FP 9/28	24,71	27,01	1.339	1.044	
FP 9/29	25,59	27,89	1.385	1.080	
FP 9/30	26,47	28,77	1.431	1.117	
FP 9/31	27,35	29,65	1.478	1.153	
FP 9/32	28,23	30,53	1.524	1.189	
9,10 m (30 FT)	FP 10/8	7,11	9,61	514	401
	FP 10/9	7,99	10,49	572	446
	FP 10/10	8,87	11,37	629	490
	FP 10/11	9,75	12,25	686	535
	FP 10/12	10,63	13,13	743	580
	FP 10/13	11,51	14,01	800	624
	FP 10/14	12,39	14,89	857	669
	FP 10/15	13,27	15,77	915	713
	FP 10/16	14,15	16,65	972	758
	FP 10/17	15,03	17,53	1.029	803
	FP 10/18	15,91	18,41	1.086	847
	FP 10/19	16,79	19,29	1.143	892
	FP 10/20	17,67	20,17	1.201	936
	FP 10/21	18,55	21,05	1.258	981
	FP 10/22	19,43	21,93	1.315	1.026
	FP 10/23	20,31	22,81	1.372	1.070
FP 10/24	21,19	23,69	1.429	1.115	
FP 10/25	22,07	24,57	1.486	1.159	
FP 10/26	22,95	25,45	1.544	1.204	
FP 10/27	23,83	26,33	1.601	1.249	
FP 10/28	24,71	27,21	1.658	1.293	
FP 10/29	25,59	28,09	1.715	1.338	
FP 10/30	26,47	28,97	1.772	1.382	
FP 10/31	27,35	29,85	1.830	1.427	
FP 10/32	28,23	30,73	1.887	1.472	

T +39 051 798 107 | F +39 051 796 300 | info@framespa.it | www.framespa.com


 Tecnologia Italiana


 All FRAME products are CE marked

 FRAME Srl
 Via Bertella, 2
 40064 Ozzano Emilia (BO)
 Italy


 www.aggrowth.com

FRAME TECHNICAL DATASHEET

FP SILO DIMENSIONS & CAPACITIES



www.framespa.it

DIAMETER METERS (feet)	MODEL NUMBER	HEIGHTS		CAPACITY		
		EAVES	OVERALL	m ³	Tons	
		m	m			
10,01 m (33 FT) FP11	FP 11/8	7,11	9,91	629	490	
	FP 11/9	7,99	10,79	698	544	
	FP 11/10	8,87	11,67	767	598	
	FP 11/11	9,75	12,55	836	652	
	FP 11/12	10,63	13,43	905	706	
	FP 11/13	11,51	14,31	975	760	
	FP 11/14	12,39	15,19	1.044	814	
	FP 11/15	13,27	16,07	1.113	868	
	FP 11/16	14,15	16,95	1.182	922	
	FP 11/17	15,03	17,83	1.251	976	
	FP 11/18	15,91	18,71	1.321	1.030	
	FP 11/19	16,79	19,59	1.390	1.084	
	FP 11/20	17,67	20,47	1.459	1.138	
	FP 11/21	18,55	21,35	1.528	1.192	
	FP 11/22	19,43	22,23	1.597	1.246	
	FP 11/23	20,31	23,11	1.667	1.300	
	FP 11/24	21,19	23,99	1.736	1.354	
	FP 11/25	22,07	24,87	1.805	1.408	
	FP 11/26	22,95	25,75	1.874	1.462	
	FP 11/27	23,83	26,63	1.943	1.516	
	FP 11/28	24,71	27,51	2.013	1.570	
	FP 11/29	25,59	28,39	2.082	1.624	
	FP 11/30	26,47	29,27	2.151	1.678	
	FP 11/31	27,35	30,15	2.220	1.732	
	FP 11/32	28,23	31,03	2.289	1.786	
	10,91 m (36 FT) FP12	FP 12/8	7,11	10,21	756	589
		FP 12/9	7,99	11,09	838	654
		FP 12/10	8,87	11,97	920	718
		FP 12/11	9,75	12,85	1.003	782
		FP 12/12	10,63	13,73	1.085	846
		FP 12/13	11,51	14,61	1.167	911
		FP 12/14	12,39	15,49	1.250	975
FP 12/15		13,27	16,37	1.332	1.039	
FP 12/16		14,15	17,25	1.414	1.103	
FP 12/17		15,03	18,13	1.497	1.168	
FP 12/18		15,91	19,01	1.579	1.232	
FP 12/19		16,79	19,89	1.662	1.296	
FP 12/20		17,67	20,77	1.744	1.360	
FP 12/21		18,55	21,65	1.826	1.424	
FP 12/22		19,43	22,53	1.909	1.489	
FP 12/23		20,31	23,41	1.991	1.553	
FP 12/24		21,19	24,29	2.073	1.617	
FP 12/25		22,07	25,17	2.156	1.681	
FP 12/26		22,95	26,05	2.238	1.746	
FP 12/27		23,83	26,93	2.320	1.810	
FP 12/28		24,71	27,81	2.403	1.874	
FP 12/29		25,59	28,69	2.485	1.938	
FP 12/30		26,47	29,57	2.567	2.003	
FP 12/31		27,35	30,45	2.650	2.067	
FP 12/32		28,23	31,33	2.732	2.131	
11,82 m (39 FT) FP13		FP 13/8	7,11	10,51	896	699
		FP 13/9	7,99	11,39	992	774
		FP 13/10	8,87	12,27	1.089	849
		FP 13/11	9,75	13,15	1.186	925
		FP 13/12	10,63	14,03	1.282	1.000
		FP 13/13	11,51	14,91	1.379	1.076
		FP 13/14	12,39	15,79	1.476	1.151
	FP 13/15	13,27	16,67	1.572	1.226	
	FP 13/16	14,15	17,55	1.669	1.302	
	FP 13/17	15,03	18,43	1.766	1.377	
	FP 13/18	15,91	19,31	1.862	1.453	
	FP 13/19	16,79	20,19	1.959	1.528	
	FP 13/20	17,67	21,07	2.055	1.603	
	FP 13/21	18,55	21,95	2.152	1.679	
	FP 13/22	19,43	22,83	2.249	1.754	
	FP 13/23	20,31	23,71	2.345	1.829	
	FP 13/24	21,19	24,59	2.442	1.905	
	FP 13/25	22,07	25,47	2.539	1.980	
	FP 13/26	22,95	26,35	2.635	2.056	
	FP 13/27	23,83	27,23	2.732	2.131	
	FP 13/28	24,71	28,11	2.829	2.206	
	FP 13/29	25,59	28,99	2.925	2.282	
	FP 13/30	26,47	29,87	3.022	2.357	
	FP 13/31	27,35	30,75	3.119	2.433	
	FP 13/32	28,23	31,63	3.215	2.508	

DIAMETER METERS (feet)	MODEL NUMBER	HEIGHTS		CAPACITY		
		EAVES	OVERALL	m ³	Tons	
		m	m			
12,73 m (42 FT) FP14	FP 14/8	7,11	10,71	1.049	818	
	FP 14/9	7,99	11,59	1.161	906	
	FP 14/10	8,87	12,47	1.273	993	
	FP 14/11	9,75	13,35	1.385	1.081	
	FP 14/12	10,63	14,23	1.497	1.168	
	FP 14/13	11,51	15,11	1.610	1.255	
	FP 14/14	12,39	15,99	1.722	1.343	
	FP 14/15	13,27	16,87	1.834	1.430	
	FP 14/16	14,15	17,75	1.946	1.518	
	FP 14/17	15,03	18,63	2.058	1.605	
	FP 14/18	15,91	19,51	2.170	1.693	
	FP 14/19	16,79	20,39	2.282	1.780	
	FP 14/20	17,67	21,27	2.394	1.867	
	FP 14/21	18,55	22,15	2.506	1.955	
	FP 14/22	19,43	23,03	2.618	2.042	
	FP 14/23	20,31	23,91	2.730	2.130	
	FP 14/24	21,19	24,79	2.843	2.217	
	FP 14/25	22,07	25,67	2.955	2.305	
	FP 14/26	22,95	26,55	3.067	2.392	
	FP 14/27	23,83	27,43	3.179	2.479	
	FP 14/28	24,71	28,31	3.291	2.567	
	FP 14/29	25,59	29,19	3.403	2.654	
	FP 14/30	26,47	30,07	3.515	2.742	
	FP 14/31	27,35	30,95	3.627	2.829	
	FP 14/32	28,23	31,83	3.739	2.917	
	13,64 m (45 FT) FP15	FP 15/8	7,11	11,01	1.216	949
		FP 15/9	7,99	11,89	1.345	1.049
		FP 15/10	8,87	12,77	1.473	1.149
		FP 15/11	9,75	13,65	1.602	1.250
		FP 15/12	10,63	14,53	1.731	1.350
		FP 15/13	11,51	15,41	1.859	1.450
		FP 15/14	12,39	16,29	1.988	1.551
FP 15/15		13,27	17,17	2.117	1.651	
FP 15/16		14,15	18,05	2.245	1.751	
FP 15/17		15,03	18,93	2.374	1.852	
FP 15/18		15,91	19,81	2.503	1.952	
FP 15/19		16,79	20,69	2.632	2.053	
FP 15/20		17,67	21,57	2.760	2.153	
FP 15/21		18,55	22,45	2.889	2.253	
FP 15/22		19,43	23,33	3.018	2.354	
FP 15/23		20,31	24,21	3.146	2.454	
FP 15/24		21,19	25,09	3.275	2.554	
FP 15/25		22,07	25,97	3.404	2.655	
FP 15/26		22,95	26,85	3.532	2.755	
FP 15/27		23,83	27,73	3.661	2.855	
FP 15/28		24,71	28,61	3.790	2.956	
FP 15/29		25,59	29,49	3.918	3.056	
FP 15/30		26,47	30,37	4.047	3.157	
FP 15/31		27,35	31,25	4.176	3.257	
FP 15/32		28,23	32,13	4.304	3.357	
14,55 m (48 FT) FP16		FP 16/8	7,11	11,16	1.397	1.090
		FP 16/9	7,99	12,04	1.544	1.204
		FP 16/10	8,87	12,92	1.690	1.318
		FP 16/11	9,75	13,80	1.836	1.432
		FP 16/12	10,63	14,68	1.983	1.547
		FP 16/13	11,51	15,56	2.129	1.661
		FP 16/14	12,39	16,44	2.275	1.775
	FP 16/15	13,27	17,32	2.422	1.889	
	FP 16/16	14,15	18,20	2.568	2.003	
	FP 16/17	15,03	19,08	2.715	2.117	
	FP 16/18	15,91	19,96	2.861	2.232	
	FP 16/19	16,79	20,84	3.007	2.346	
	FP 16/20	17,67	21,72	3.154	2.460	
	FP 16/21	18,55	22,60	3.300	2.574	
	FP 16/22	19,43	23,48	3.447	2.688	
	FP 16/23	20,31	24,36	3.593	2.803	
	FP 16/24	21,19	25,24	3.739	2.917	
	FP 16/25	22,07	26,12	3.886	3.031	
	FP 16/26	22,95	27,00	4.032	3.145	
	FP 16/27	23,83	27,88	4.179	3.259	
	FP 16/28	24,71	28,76	4.325	3.374	
	FP 16/29	25,59	29,64	4.471	3.488	
	FP 16/30	26,47	30,52	4.618	3.602	
	FP 16/31	27,35	31,40	4.764	3.716	
	FP 16/32	28,23	32,28	4.911	3.830	

FRAME TECHNICAL DATASHEET

FP SILO DIMENSIONS & CAPACITIES



www.framespa.it

DIAMETER METERS (feet)	MODEL NUMBER	HEIGHTS		CAPACITY	
		EAVES m	OVERALL m	m ³	Tons
15,46 m (51 FT)	FP 17/8	7,11	11,61	1.592	1.242
	FP 17/9	7,99	12,49	1.758	1.371
	FP 17/10	8,87	13,37	1.923	1.500
	FP 17/11	9,75	14,25	2.088	1.629
	FP 17/12	10,63	15,13	2.253	1.758
	FP 17/13	11,51	16,01	2.419	1.887
	FP 17/14	12,39	16,89	2.584	2.015
	FP 17/15	13,27	17,77	2.749	2.144
	FP 17/16	14,15	18,65	2.914	2.273
	FP 17/17	15,03	19,53	3.080	2.402
	FP 17/18	15,91	20,41	3.245	2.531
	FP 17/19	16,79	21,29	3.410	2.660
	FP 17/20	17,67	22,17	3.576	2.789
	FP 17/21	18,55	23,05	3.741	2.918
	FP 17/22	19,43	23,93	3.906	3.047
	FP 17/23	20,31	24,81	4.071	3.176
FP 17/24	21,19	25,69	4.237	3.305	
FP 17/25	22,07	26,57	4.402	3.433	
FP 17/26	22,95	27,45	4.567	3.562	
FP 17/27	23,83	28,33	4.732	3.691	
FP 17/28	24,71	29,21	4.898	3.820	
FP 17/29	25,59	30,09	5.063	3.949	
FP 17/30	26,47	30,97	5.228	4.078	
FP 17/31	27,35	31,85	5.394	4.207	
FP 17/32	28,23	32,73	5.559	4.336	
16,37 m (54 FT)	FP 18/8	7,11	11,81	1.802	1.406
	FP 18/9	7,99	12,69	1.987	1.550
	FP 18/10	8,87	13,57	2.173	1.695
	FP 18/11	9,75	14,45	2.358	1.839
	FP 18/12	10,63	15,33	2.543	1.984
	FP 18/13	11,51	16,21	2.729	2.128
	FP 18/14	12,39	17,09	2.914	2.273
	FP 18/15	13,27	17,97	3.099	2.417
	FP 18/16	14,15	18,85	3.284	2.562
	FP 18/17	15,03	19,73	3.470	2.706
	FP 18/18	15,91	20,61	3.655	2.851
	FP 18/19	16,79	21,49	3.840	2.995
	FP 18/20	17,67	22,37	4.026	3.140
	FP 18/21	18,55	23,25	4.211	3.284
	FP 18/22	19,43	24,13	4.396	3.429
	FP 18/23	20,31	25,01	4.581	3.574
FP 18/24	21,19	25,89	4.767	3.718	
FP 18/25	22,07	26,77	4.952	3.863	
FP 18/26	22,95	27,65	5.137	4.007	
FP 18/27	23,83	28,53	5.323	4.152	
FP 18/28	24,71	29,41	5.508	4.296	
FP 18/29	25,59	30,29	5.693	4.441	
FP 18/30	26,47	31,17	5.878	4.585	
FP 18/31	27,35	32,05	6.064	4.730	
FP 18/32	28,23	32,93	6.249	4.874	
17,28 m (57 FT)	FP 19/8	7,11	12,11	2.027	1.581
	FP 19/9	7,99	12,99	2.233	1.742
	FP 19/10	8,87	13,87	2.440	1.903
	FP 19/11	9,75	14,75	2.646	2.064
	FP 19/12	10,63	15,63	2.853	2.225
	FP 19/13	11,51	16,51	3.059	2.386
	FP 19/14	12,39	17,39	3.266	2.547
	FP 19/15	13,27	18,27	3.472	2.708
	FP 19/16	14,15	19,15	3.678	2.869
	FP 19/17	15,03	20,03	3.885	3.030
	FP 19/18	15,91	20,91	4.091	3.191
	FP 19/19	16,79	21,79	4.298	3.352
	FP 19/20	17,67	22,67	4.504	3.513
	FP 19/21	18,55	23,55	4.711	3.674
	FP 19/22	19,43	24,43	4.917	3.835
	FP 19/23	20,31	25,31	5.124	3.996
FP 19/24	21,19	26,19	5.330	4.157	
FP 19/25	22,07	27,07	5.536	4.318	
FP 19/26	22,95	27,95	5.743	4.479	
FP 19/27	23,83	28,83	5.949	4.640	
FP 19/28	24,71	29,71	6.156	4.801	
FP 19/29	25,59	30,59	6.362	4.963	
FP 19/30	26,47	31,47	6.569	5.124	
FP 19/31	27,35	32,35	6.775	5.285	
FP 19/32	28,23	33,23	6.982	5.446	

DIAMETER METERS (feet)	MODEL NUMBER	HEIGHTS		CAPACITY	
		EAVES m	OVERALL m	m ³	Tons
18,19 m (60 FT)	FP 20/8	7,11	12,41	2.267	1.768
	FP 20/9	7,99	13,29	2.496	1.947
	FP 20/10	8,87	14,17	2.724	2.125
	FP 20/11	9,75	15,05	2.953	2.303
	FP 20/12	10,63	15,93	3.182	2.482
	FP 20/13	11,51	16,81	3.411	2.660
	FP 20/14	12,39	17,69	3.639	2.839
	FP 20/15	13,27	18,57	3.868	3.017
	FP 20/16	14,15	19,45	4.097	3.195
	FP 20/17	15,03	20,33	4.325	3.374
	FP 20/18	15,91	21,21	4.554	3.552
	FP 20/19	16,79	22,09	4.783	3.731
	FP 20/20	17,67	22,97	5.012	3.909
	FP 20/21	18,55	23,85	5.240	4.088
	FP 20/22	19,43	24,73	5.469	4.266
	FP 20/23	20,31	25,61	5.698	4.444
FP 20/24	21,19	26,49	5.927	4.623	
FP 20/25	22,07	27,37	6.155	4.801	
FP 20/26	22,95	28,25	6.384	4.980	
FP 20/27	23,83	29,13	6.613	5.158	
FP 20/28	24,71	30,01	6.842	5.337	
FP 20/29	25,59	30,89	7.070	5.515	
FP 20/30	26,47	31,77	7.299	5.693	
FP 20/31	27,35	32,65	7.528	5.872	
FP 20/32	28,23	33,53	7.757	6.050	
19,10 m (63 FT)	FP 21/8	7,11	12,61	2.522	1.967
	FP 21/9	7,99	13,49	2.774	2.164
	FP 21/10	8,87	14,37	3.027	2.361
	FP 21/11	9,75	15,25	3.279	2.557
	FP 21/12	10,63	16,13	3.531	2.754
	FP 21/13	11,51	17,01	3.783	2.951
	FP 21/14	12,39	17,89	4.035	3.148
	FP 21/15	13,27	18,77	4.288	3.344
	FP 21/16	14,15	19,65	4.540	3.541
	FP 21/17	15,03	20,53	4.792	3.738
	FP 21/18	15,91	21,41	5.044	3.934
	FP 21/19	16,79	22,29	5.296	4.131
	FP 21/20	17,67	23,17	5.549	4.328
	FP 21/21	18,55	24,05	5.801	4.525
	FP 21/22	19,43	24,93	6.053	4.721
	FP 21/23	20,31	25,81	6.305	4.918
FP 21/24	21,19	26,69	6.557	5.115	
FP 21/25	22,07	27,57	6.809	5.311	
FP 21/26	22,95	28,45	7.062	5.508	
FP 21/27	23,83	29,33	7.314	5.705	
FP 21/28	24,71	30,21	7.566	5.902	
FP 21/29	25,59	31,09	7.818	6.098	
FP 21/30	26,47	31,97	8.070	6.295	
FP 21/31	27,35	32,85	8.323	6.492	
FP 21/32	28,23	33,73	8.575	6.688	
20,01 m (66 FT)	FP 22/8	7,11	12,91	2.793	2.179
	FP 22/9	7,99	13,79	3.070	2.395
	FP 22/10	8,87	14,67	3.347	2.611
	FP 22/11	9,75	15,55	3.624	2.827
	FP 22/12	10,63	16,43	3.901	3.042
	FP 22/13	11,51	17,31	4.177	3.258
	FP 22/14	12,39	18,19	4.454	3.474
	FP 22/15	13,27	19,07	4.731	3.690
	FP 22/16	14,15	19,95	5.008	3.906
	FP 22/17	15,03	20,83	5.285	4.122
	FP 22/18	15,91	21,71	5.561	4.338
	FP 22/19	16,79	22,59	5.838	4.554
	FP 22/20	17,67	23,47	6.115	4.770
	FP 22/21	18,55	24,35	6.392	4.986
	FP 22/22	19,43	25,23	6.668	5.201
	FP 22/23	20,31	26,11	6.945	5.417
FP 22/24	21,19	26,99	7.222	5.633	
FP 22/25	22,07	27,87	7.499	5.849	
FP 22/26	22,95	28,75	7.776	6.065	
FP 22/27	23,83	29,63	8.052	6.281	
FP 22/28	24,71	30,51	8.329	6.497	
FP 22/29	25,59	31,39	8.606	6.713	
FP 22/30	26,47	32,27	8.883	6.929	
FP 22/31	27,35	33,15	9.160	7.144	
FP 22/32	28,23	34,03	9.436	7.360	

FRAME TECHNICAL DATASHEET

FP SILO DIMENSIONS & CAPACITIES



www.framespa.it

DIAMETER METERS (feet)	MODEL NUMBER	HEIGHTS		CAPACITY	
		EAVES	OVERALL	m ³	Tons
		m	m		
20,92 m (69 FT)	FP 23/8	7,11	13,21	3.081	2.403
	FP 23/9	7,99	14,09	3.383	2.639
	FP 23/10	8,87	14,97	3.686	2.875
	FP 23/11	9,75	15,85	3.988	3.111
	FP 23/12	10,63	16,73	4.291	3.347
	FP 23/13	11,51	17,61	4.594	3.583
	FP 23/14	12,39	18,49	4.896	3.819
	FP 23/15	13,27	19,37	5.199	4.055
	FP 23/16	14,15	20,25	5.501	4.291
	FP 23/17	15,03	21,13	5.804	4.527
	FP 23/18	15,91	22,01	6.106	4.763
	FP 23/19	16,79	22,89	6.409	4.999
	FP 23/20	17,67	23,77	6.711	5.235
	FP 23/21	18,55	24,65	7.014	5.471
	FP 23/22	19,43	25,53	7.316	5.707
	FP 23/23	20,31	26,41	7.619	5.943
	FP 23/24	21,19	27,29	7.921	6.179
	FP 23/25	22,07	28,17	8.224	6.415
	FP 23/26	22,95	29,05	8.526	6.650
	FP 23/27	23,83	29,93	8.829	6.886
FP 23/28	24,71	30,81	9.131	7.122	
FP 23/29	25,59	31,69	9.434	7.358	
FP 23/30	26,47	32,57	9.736	7.594	
FP 23/31	27,35	33,45	10.039	7.830	
FP 23/32	28,23	34,33	10.341	8.066	
21,83 m (72 FT)	FP 24/8	7,11	13,51	3.385	2.640
	FP 24/9	7,99	14,39	3.714	2.897
	FP 24/10	8,87	15,27	4.044	3.154
	FP 24/11	9,75	16,15	4.373	3.411
	FP 24/12	10,63	17,03	4.702	3.668
	FP 24/13	11,51	17,91	5.032	3.925
	FP 24/14	12,39	18,79	5.361	4.182
	FP 24/15	13,27	19,67	5.691	4.439
	FP 24/16	14,15	20,55	6.020	4.696
	FP 24/17	15,03	21,43	6.349	4.953
	FP 24/18	15,91	22,31	6.679	5.209
	FP 24/19	16,79	23,19	7.008	5.466
	FP 24/20	17,67	24,07	7.338	5.723
	FP 24/21	18,55	24,95	7.667	5.980
	FP 24/22	19,43	25,83	7.996	6.237
	FP 24/23	20,31	26,71	8.326	6.494
	FP 24/24	21,19	27,59	8.655	6.751
	FP 24/25	22,07	28,47	8.985	7.008
	FP 24/26	22,95	29,35	9.314	7.265
	FP 24/27	23,83	30,23	9.643	7.522
FP 24/28	24,71	31,11	9.973	7.779	
FP 24/29	25,59	31,99	10.302	8.036	
FP 24/30	26,47	32,87	10.632	8.293	
FP 24/31	27,35	33,75	10.961	8.550	
FP 24/32	28,23	34,63	11.290	8.806	
22,74 m (75 FT)	FP 25/8	7,11	13,71	3.706	2.890
	FP 25/9	7,99	14,59	4.063	3.169
	FP 25/10	8,87	15,47	4.420	3.448
	FP 25/11	9,75	16,35	4.778	3.727
	FP 25/12	10,63	17,23	5.135	4.005
	FP 25/13	11,51	18,11	5.493	4.284
	FP 25/14	12,39	18,99	5.850	4.563
	FP 25/15	13,27	19,87	6.207	4.842
	FP 25/16	14,15	20,75	6.565	5.121
	FP 25/17	15,03	21,63	6.922	5.399
	FP 25/18	15,91	22,51	7.280	5.678
	FP 25/19	16,79	23,39	7.637	5.957
	FP 25/20	17,67	24,27	7.995	6.236
	FP 25/21	18,55	25,15	8.352	6.514
	FP 25/22	19,43	26,03	8.709	6.793
	FP 25/23	20,31	26,91	9.067	7.072
	FP 25/24	21,19	27,79	9.424	7.351
	FP 25/25	22,07	28,67	9.782	7.630
	FP 25/26	22,95	29,55	10.139	7.908
	FP 25/27	23,83	30,43	10.496	8.187
FP 25/28	24,71	31,31	10.854	8.466	
FP 25/29	25,59	32,19	11.211	8.745	
FP 25/30	26,47	33,07	11.569	9.024	
FP 25/31	27,35	33,95	11.926	9.302	
FP 25/32	28,23	34,83	12.284	9.581	

DIAMETER METERS (feet)	MODEL NUMBER	HEIGHTS		CAPACITY	
		EAVES	OVERALL	m ³	Tons
		m	m		
23,65 m (78 FT)	FP 26/8	7,11	14,01	4.043	3.154
	FP 26/9	7,99	14,89	4.430	3.455
	FP 26/10	8,87	15,77	4.816	3.757
	FP 26/11	9,75	16,65	5.203	4.058
	FP 26/12	10,63	17,53	5.590	4.360
	FP 26/13	11,51	18,41	5.976	4.661
	FP 26/14	12,39	19,29	6.363	4.963
	FP 26/15	13,27	20,17	6.749	5.264
	FP 26/16	14,15	21,05	7.136	5.566
	FP 26/17	15,03	21,93	7.523	5.868
	FP 26/18	15,91	22,81	7.909	6.169
	FP 26/19	16,79	23,69	8.296	6.471
	FP 26/20	17,67	24,57	8.682	6.772
	FP 26/21	18,55	25,45	9.069	7.074
	FP 26/22	19,43	26,33	9.455	7.375
	FP 26/23	20,31	27,21	9.842	7.677
	FP 26/24	21,19	28,09	10.229	7.978
	FP 26/25	22,07	28,97	10.615	8.280
	FP 26/26	22,95	29,85	11.002	8.581
	FP 26/27	23,83	30,73	11.388	8.883
FP 26/28	24,71	31,61	11.775	9.184	
FP 26/29	25,59	32,49	12.162	9.486	
FP 26/30	26,47	33,37	12.548	9.788	
FP 26/31	27,35	34,25	12.935	10.089	
FP 26/32	28,23	35,13	13.321	10.391	
24,56 m (81 FT)	FP 27/8	7,11	14,31	4.398	3.431
	FP 27/9	7,99	15,19	4.815	3.756
	FP 27/10	8,87	16,07	5.232	4.081
	FP 27/11	9,75	16,95	5.649	4.406
	FP 27/12	10,63	17,83	6.066	4.732
	FP 27/13	11,51	18,71	6.483	5.057
	FP 27/14	12,39	19,59	6.900	5.382
	FP 27/15	13,27	20,47	7.317	5.707
	FP 27/16	14,15	21,35	7.734	6.032
	FP 27/17	15,03	22,23	8.150	6.357
	FP 27/18	15,91	23,11	8.567	6.683
	FP 27/19	16,79	23,99	8.984	7.008
	FP 27/20	17,67	24,87	9.401	7.333
	FP 27/21	18,55	25,75	9.818	7.658
	FP 27/22	19,43	26,63	10.235	7.983
	FP 27/23	20,31	27,51	10.652	8.308
	FP 27/24	21,19	28,39	11.069	8.634
	FP 27/25	22,07	29,27	11.486	8.959
	FP 27/26	22,95	30,15	11.902	9.284
	FP 27/27	23,83	31,03	12.319	9.609
FP 27/28	24,71	31,91	12.736	9.934	
FP 27/29	25,59	32,79	13.153	10.260	
FP 27/30	26,47	33,67	13.570	10.585	
FP 27/31	27,35	34,55	13.987	10.910	
FP 27/32	28,23	35,43	14.404	11.235	
25,47 m (84 FT)	FP 28/8	7,11	14,41	4.771	3.722
	FP 28/9	7,99	15,29	5.220	4.071
	FP 28/10	8,87	16,17	5.668	4.421
	FP 28/11	9,75	17,05	6.116	4.771
	FP 28/12	10,63	17,93	6.565	5.121
	FP 28/13	11,51	18,81	7.013	5.470
	FP 28/14	12,39	19,69	7.461	5.820
	FP 28/15	13,27	20,57	7.910	6.170
	FP 28/16	14,15	21,45	8.358	6.519
	FP 28/17	15,03	22,33	8.806	6.869
	FP 28/18	15,91	23,21	9.255	7.219
	FP 28/19	16,79	24,09	9.703	7.568
	FP 28/20	17,67	24,97	10.151	7.918
	FP 28/21	18,55	25,85	10.600	8.268
	FP 28/22	19,43	26,73	11.048	8.618
	FP 28/23	20,31	27,61	11.497	8.967
	FP 28/24	21,19	28,49	11.945	9.317
	FP 28/25	22,07	29,37	12.393	9.667
	FP 28/26	22,95	30,25	12.842	10.016
	FP 28/27	23,83	31,13	13.290	10.366
FP 28/28	24,71	32,01	13.738	10.716	
FP 28/29	25,59	32,89	14.187	11.066	
FP 28/30	26,47	33,77	14.635	11.415	
FP 28/31	27,35	34,65	15.083	11.765	
FP 28/32	28,23	35,53	15.532	12.115	

Rif. 57x0011 Rev.0 - FRAME reserves the right to change specification without prior notice.

FRAME TECHNICAL DATASHEET

FP SILO DIMENSIONS & CAPACITIES

www.framespa.it

DIAMETER METERS (feet)	MODEL NUMBER	HEIGHTS		CAPACITY	
		EAVES	OVERALL	m³	Tons
		m	m		
26,38 m (87 FT)	FP 29/8	7,11	14,71	5.162	4.027
	FP 29/9	7,99	15,59	5.643	4.402
	FP 29/10	8,87	16,47	6.124	4.777
	FP 29/11	9,75	17,35	6.605	5.152
	FP 29/12	10,63	18,23	7.086	5.527
	FP 29/13	11,51	19,11	7.567	5.902
	FP 29/14	12,39	19,99	8.048	6.277
	FP 29/15	13,27	20,87	8.529	6.653
	FP 29/16	14,15	21,75	9.010	7.028
	FP 29/17	15,03	22,63	9.491	7.403
	FP 29/18	15,91	23,51	9.972	7.778
	FP 29/19	16,79	24,39	10.453	8.153
	FP 29/20	17,67	25,27	10.934	8.528
FP 29/21	18,55	26,15	11.415	8.903	
FP 29/22	19,43	27,03	11.895	9.278	
FP 29/23	20,31	27,91	12.376	9.654	
FP 29/24	21,19	28,79	12.857	10.029	
FP 29/25	22,07	29,67	13.338	10.404	
FP 29/26	22,95	30,55	13.819	10.779	
FP 29/27	23,83	31,43	14.300	11.154	
FP 29/28	24,71	32,31	14.781	11.529	
FP 29/29	25,59	33,19	15.262	11.904	
FP 29/30	26,47	34,07	15.743	12.280	
FP 29/31	27,35	34,95	16.224	12.655	
FP 29/32	28,23	35,83	16.705	13.030	
27,29 m (90 FT)	FP 30/8	7,11	15,01	5.572	4.346
	FP 30/9	7,99	15,89	6.086	4.747
	FP 30/10	8,87	16,77	6.601	5.149
	FP 30/11	9,75	17,65	7.116	5.550
	FP 30/12	10,63	18,53	7.630	5.952
	FP 30/13	11,51	19,41	8.145	6.353
	FP 30/14	12,39	20,29	8.660	6.755
	FP 30/15	13,27	21,17	9.174	7.156
	FP 30/16	14,15	22,05	9.689	7.557
	FP 30/17	15,03	22,93	10.204	7.959
	FP 30/18	15,91	23,81	10.718	8.360
	FP 30/19	16,79	24,69	11.233	8.762
	FP 30/20	17,67	25,57	11.748	9.163
FP 30/21	18,55	26,45	12.262	9.565	
FP 30/22	19,43	27,33	12.777	9.966	
FP 30/23	20,31	28,21	13.292	10.368	
FP 30/24	21,19	29,09	13.806	10.769	
FP 30/25	22,07	29,97	14.321	11.171	
FP 30/26	22,95	30,85	14.836	11.572	
FP 30/27	23,83	31,73	15.351	11.973	
FP 30/28	24,71	32,61	15.865	12.375	
FP 30/29	25,59	33,49	16.380	12.776	
FP 30/30	26,47	34,37	16.895	13.178	
FP 30/31	27,35	35,25	17.409	13.579	
FP 30/32	28,23	36,13	17.924	13.981	
28,20 m (93 FT)	FP 31/8	7,11	15,11	6.000	4.680
	FP 31/9	7,99	15,99	6.549	5.108
	FP 31/10	8,87	16,87	7.099	5.537
	FP 31/11	9,75	17,75	7.648	5.966
	FP 31/12	10,63	18,63	8.198	6.394
	FP 31/13	11,51	19,51	8.747	6.823
	FP 31/14	12,39	20,39	9.297	7.252
	FP 31/15	13,27	21,27	9.847	7.680
	FP 31/16	14,15	22,15	10.396	8.109
	FP 31/17	15,03	23,03	10.946	8.538
	FP 31/18	15,91	23,91	11.495	8.966
	FP 31/19	16,79	24,79	12.045	9.395
	FP 31/20	17,67	25,67	12.594	9.824
FP 31/21	18,55	26,55	13.144	10.252	
FP 31/22	19,43	27,43	13.693	10.681	
FP 31/23	20,31	28,31	14.243	11.110	
FP 31/24	21,19	29,19	14.793	11.538	
FP 31/25	22,07	30,07	15.342	11.967	
FP 31/26	22,95	30,95	15.892	12.396	
FP 31/27	23,83	31,83	16.441	12.824	
FP 31/28	24,71	32,71	16.991	13.253	
FP 31/29	25,59	33,59	17.540	13.682	
FP 31/30	26,47	34,47	18.090	14.110	
FP 31/31	27,35	35,35	18.640	14.539	
FP 31/32	28,23	36,23	19.189	14.968	

DIAMETER METERS (feet)	MODEL NUMBER	HEIGHTS		CAPACITY	
		EAVES	OVERALL	m³	Tons
		m	m		
29,11 m (96 FT)	FP 32/8	7,11	15,41	6.447	5.028
	FP 32/9	7,99	16,29	7.032	5.485
	FP 32/10	8,87	17,17	7.618	5.942
	FP 32/11	9,75	18,05	8.203	6.399
	FP 32/12	10,63	18,93	8.789	6.855
	FP 32/13	11,51	19,81	9.374	7.312
	FP 32/14	12,39	20,69	9.960	7.769
	FP 32/15	13,27	21,57	10.546	8.226
	FP 32/16	14,15	22,45	11.131	8.682
	FP 32/17	15,03	23,33	11.717	9.139
	FP 32/18	15,91	24,21	12.302	9.596
	FP 32/19	16,79	25,09	12.888	10.053
	FP 32/20	17,67	25,97	13.474	10.509
FP 32/21	18,55	26,85	14.059	10.966	
FP 32/22	19,43	27,73	14.645	11.423	
FP 32/23	20,31	28,61	15.230	11.880	
FP 32/24	21,19	29,49	15.816	12.336	
FP 32/25	22,07	30,37	16.402	12.793	
FP 32/26	22,95	31,25	16.987	13.250	
FP 32/27	23,83	32,13	17.573	13.707	
FP 32/28	24,71	33,01	18.158	14.164	
FP 32/29	25,59	33,89	18.744	14.620	
FP 32/30	26,47	34,77	19.330	15.077	
FP 32/31	27,35	35,65	19.915	15.534	
FP 32/32	28,23	36,53	20.501	15.991	
30,02 m (99 FT)	FP 33/8	7,11	15,61	6.913	5.392
	FP 33/9	7,99	16,49	7.536	5.878
	FP 33/10	8,87	17,37	8.158	6.363
	FP 33/11	9,75	18,25	8.781	6.849
	FP 33/12	10,63	19,13	9.404	7.335
	FP 33/13	11,51	20,01	10.027	7.821
	FP 33/14	12,39	20,89	10.649	8.306
	FP 33/15	13,27	21,77	11.272	8.792
	FP 33/16	14,15	22,65	11.895	9.278
	FP 33/17	15,03	23,53	12.518	9.764
	FP 33/18	15,91	24,41	13.140	10.250
	FP 33/19	16,79	25,29	13.763	10.735
	FP 33/20	17,67	26,17	14.386	11.221
FP 33/21	18,55	27,05	15.009	11.707	
FP 33/22	19,43	27,93	15.631	12.193	
FP 33/23	20,31	28,81	16.254	12.678	
FP 33/24	21,19	29,69	16.877	13.164	
FP 33/25	22,07	30,57	17.500	13.650	
FP 33/26	22,95	31,45	18.122	14.136	
FP 33/27	23,83	32,33	18.745	14.621	
FP 33/28	24,71	33,21	19.368	15.107	
FP 33/29	25,59	34,09	19.991	15.593	
FP 33/30	26,47	34,97	20.614	16.079	
FP 33/31	27,35	35,85	21.236	16.564	
FP 33/32	28,23	36,73	21.859	17.050	
30,93 m (102 FT)	FP 34/8	7,11	15,91	7.399	5.771
	FP 34/9	7,99	16,79	8.060	6.287
	FP 34/10	8,87	17,67	8.721	6.802
	FP 34/11	9,75	18,55	9.382	7.318
	FP 34/12	10,63	19,43	10.043	7.833
	FP 34/13	11,51	20,31	10.704	8.349
	FP 34/14	12,39	21,19	11.365	8.865
	FP 34/15	13,27	22,07	12.026	9.380
	FP 34/16	14,15	22,95	12.687	9.896
	FP 34/17	15,03	23,83	13.348	10.412
	FP 34/18	15,91	24,71	14.009	10.927
	FP 34/19	16,79	25,59	14.670	11.443
	FP 34/20	17,67	26,47	15.332	11.959
FP 34/21	18,55	27,35	15.993	12.474	
FP 34/22	19,43	28,23	16.654	12.990	
FP 34/23	20,31	29,11	17.315	13.506	
FP 34/24	21,19	29,99	17.976	14.021	
FP 34/25	22,07	30,87	18.637	14.537	
FP 34/26	22,95	31,75	19.298	15.052	
FP 34/27	23,83	32,63	19.959	15.568	
FP 34/28	24,71	33,51	20.620	16.084	
FP 34/29	25,59	34,39	21.281	16.599	
FP 34/30	26,47	35,27	21.942	17.115	
FP 34/31	27,35	36,15	22.603	17.631	
FP 34/32	28,23	37,03	23.265	18.146	

Rif. 57x0011 Rev.0 - FRAME reserves the right to change specification without prior notice.

FRAME TECHNICAL DATASHEET

FP SILO DIMENSIONS & CAPACITIES

DIAMETER METERS (feet)	MODEL NUMBER	HEIGHTS		CAPACITY	
		EAVES	OVERALL	m ³	Tons
		m	m		
31,83 m (105 FT) FP35	FP 35/8	7,11	16,21	7.904	6.165
	FP 35/9	7,99	17,09	8.605	6.712
	FP 35/10	8,87	17,97	9.305	7.258
	FP 35/11	9,75	18,85	10.006	7.805
	FP 35/12	10,63	19,73	10.707	8.351
	FP 35/13	11,51	20,61	11.407	8.898
	FP 35/14	12,39	21,49	12.108	9.444
	FP 35/15	13,27	22,37	12.808	9.990
	FP 35/16	14,15	23,25	13.509	10.537
	FP 35/17	15,03	24,13	14.209	11.083
	FP 35/18	15,91	25,01	14.910	11.630
	FP 35/19	16,79	25,89	15.610	12.176
	FP 35/20	17,67	26,77	16.311	12.722
	FP 35/21	18,55	27,65	17.011	13.269
	FP 35/22	19,43	28,53	17.712	13.815
	FP 35/23	20,31	29,41	18.412	14.362
	FP 35/24	21,19	30,29	19.113	14.908
	FP 35/25	22,07	31,17	19.814	15.455
	FP 35/26	22,95	32,05	20.514	16.001
	FP 35/27	23,83	32,93	21.215	16.547
	FP 35/28	24,71	33,81	21.915	17.094
	FP 35/29	25,59	34,69	22.616	17.640
	FP 35/30	26,47	35,57	23.316	18.187
	FP 35/31	27,35	36,45	24.017	18.733
	FP 35/32	28,23	37,33	24.717	19.280

NOTE:

The maximum capacity of the silos is calculated assuming an angle of repose of 28° and based on uncompacted cereals weight of 780 kg/m³.

Silos are designed to meet:

- 144 km/h wind speed

- 75 kg/m² of snow on the roof

Standard roof peak capacity varies from 250 to 15.000 kg, depending on silo diameter.

FRAME reserves right to change specifications without prior notice.



FRAME TECHNICAL DATASHEET

FC SILO DIMENSIONS & CAPACITIES



www.framespa.it

DIAMETER METERS (feet)	MODEL NUMBER	HEIGHTS		CAPACITY	
		EAVES	OVERALL	m³	Tons
		m	m		
3,64 m (12 FT)	FC 4/5	7,06	8,00	57	44
	FC 4/6	7,94	8,88	66	51
	FC 4/7	8,82	9,76	75	59
	FC 4/8	9,70	10,64	84	66
	FC 4/9	10,58	11,52	93	73
	FC 4/10	11,46	12,40	103	80
	FC 4/11	12,34	13,28	112	87
	FC 4/12	13,22	14,16	121	94
	FC 4/13	14,10	15,04	130	101
	FC 4/14	14,98	15,92	139	109
	FC 4/15	15,86	16,80	148	116
	FC 4/16	16,74	17,68	157	123
	FC 4/17	17,62	18,56	167	130
FC 4/18	18,50	19,44	176	137	
FC 4/19	19,38	20,32	185	144	
FC 4/20	20,26	21,20	194	151	
4,55 m (15 FT)	FC 5/5	7,51	8,71	93	72
	FC 5/6	8,39	9,59	107	83
	FC 5/7	9,27	10,47	121	95
	FC 5/8	10,15	11,35	135	106
	FC 5/9	11,03	12,23	150	117
	FC 5/10	11,91	13,11	164	128
	FC 5/11	12,79	13,99	178	139
	FC 5/12	13,67	14,87	193	150
	FC 5/13	14,55	15,75	207	161
	FC 5/14	15,43	16,63	221	173
	FC 5/15	16,31	17,51	236	184
	FC 5/16	17,19	18,39	250	195
	FC 5/17	18,07	19,27	264	206
FC 5/18	18,95	20,15	278	217	
FC 5/19	19,83	21,03	293	228	
FC 5/20	20,71	21,91	307	239	
FC 5/21	21,59	22,79	321	251	
FC 5/22	22,47	23,67	336	262	
FC 5/23	23,35	24,55	350	273	
FC 5/24	24,23	25,43	364	284	
FC 5/25	25,11	26,31	379	295	
5,46 m (18 FT)	FC 6/5	7,99	9,49	139	109
	FC 6/6	8,87	10,37	160	125
	FC 6/7	9,75	11,25	180	141
	FC 6/8	10,63	12,13	201	157
	FC 6/9	11,51	13,01	222	173
	FC 6/10	12,39	13,89	242	189
	FC 6/11	13,27	14,77	263	205
	FC 6/12	14,15	15,65	283	221
	FC 6/13	15,03	16,53	304	237
	FC 6/14	15,91	17,41	325	253
	FC 6/15	16,79	18,29	345	269
	FC 6/16	17,67	19,17	366	285
	FC 6/17	18,55	20,05	386	301
FC 6/18	19,43	20,93	407	317	
FC 6/19	20,31	21,81	427	333	
FC 6/20	21,19	22,69	448	349	
FC 6/21	22,07	23,57	469	366	
FC 6/22	22,95	24,45	489	382	
FC 6/23	23,83	25,33	510	398	
FC 6/24	24,71	26,21	530	414	
FC 6/25	25,59	27,09	551	430	
FC 6/26	26,47	27,97	572	446	
FC 6/27	27,35	28,85	592	462	
FC 6/28	28,23	29,73	613	478	
FC 6/29	29,11	30,61	633	494	
FC 6/30	29,99	31,49	654	510	
6,37 m (21 FT)	FC 7/5	8,44	10,24	197	154
	FC 7/6	9,32	11,12	225	175
	FC 7/7	10,20	12,00	253	197
	FC 7/8	11,08	12,88	281	219
	FC 7/9	11,96	13,76	309	241
	FC 7/10	12,84	14,64	337	263
	FC 7/11	13,72	15,52	365	285
	FC 7/12	14,60	16,40	393	307
	FC 7/13	15,48	17,28	421	328
	FC 7/14	16,36	18,16	449	350
	FC 7/15	17,24	19,04	477	372
	FC 7/16	18,12	19,92	505	394
	FC 7/17	19,00	20,80	533	416
FC 7/18	19,88	21,68	561	438	
FC 7/19	20,76	22,56	589	460	
FC 7/20	21,64	23,44	617	481	
FC 7/21	22,52	24,32	645	503	
FC 7/22	23,40	25,20	673	525	
FC 7/23	24,28	26,08	701	547	
FC 7/24	25,16	26,96	729	569	
FC 7/25	26,04	27,84	757	591	
FC 7/26	26,92	28,72	785	613	
FC 7/27	27,80	29,60	813	634	
FC 7/28	28,68	30,48	841	656	
FC 7/29	29,56	31,36	869	678	
FC 7/30	30,44	32,24	897	700	

DIAMETER METERS (feet)	MODEL NUMBER	HEIGHTS		CAPACITY	
		EAVES	OVERALL	m³	Tons
		m	m		
7,28 m (24 FT)	FC 8/5	8,90	10,90	267	208
	FC 8/6	9,78	11,78	303	237
	FC 8/7	10,66	12,66	340	265
	FC 8/8	11,54	13,54	377	294
	FC 8/9	12,42	14,42	413	322
	FC 8/10	13,30	15,30	450	351
	FC 8/11	14,18	16,18	486	379
	FC 8/12	15,06	17,06	523	408
	FC 8/13	15,94	17,94	560	437
	FC 8/14	16,82	18,82	596	465
	FC 8/15	17,70	19,70	633	494
	FC 8/16	18,58	20,58	669	522
	FC 8/17	19,46	21,46	706	551
FC 8/18	20,34	22,34	743	579	
FC 8/19	21,22	23,22	779	608	
FC 8/20	22,10	24,10	816	636	
FC 8/21	22,98	24,98	852	665	
FC 8/22	23,86	25,86	889	693	
FC 8/23	24,74	26,74	926	722	
FC 8/24	25,62	27,62	962	751	
FC 8/25	26,50	28,50	999	779	
FC 8/26	27,38	29,38	1,035	808	
FC 8/27	28,26	30,26	1,072	836	
FC 8/28	29,14	31,14	1,109	865	
FC 8/29	30,02	32,02	1,145	893	
FC 8/30	30,90	32,90	1,182	922	
8,19 m (27 FT)	FC 9/5	9,36	11,66	350	273
	FC 9/6	10,24	12,54	397	309
	FC 9/7	11,12	13,42	443	346
	FC 9/8	12,00	14,30	489	382
	FC 9/9	12,88	15,18	536	418
	FC 9/10	13,76	16,06	582	454
	FC 9/11	14,64	16,94	628	490
	FC 9/12	15,52	17,82	675	526
	FC 9/13	16,40	18,70	721	562
	FC 9/14	17,28	19,58	767	599
	FC 9/15	18,16	20,46	814	635
	FC 9/16	19,04	21,34	860	671
	FC 9/17	19,92	22,22	906	707
FC 9/18	20,80	23,10	953	743	
FC 9/19	21,68	23,98	999	779	
FC 9/20	23,01	25,31	1,045	815	
FC 9/21	23,89	26,19	1,092	851	
FC 9/22	24,77	27,07	1,138	888	
FC 9/23	25,65	27,95	1,184	924	
FC 9/24	26,53	28,83	1,231	960	
FC 9/25	27,41	29,71	1,277	996	
FC 9/26	28,29	30,59	1,323	1,032	
FC 9/27	29,17	31,47	1,370	1,068	
FC 9/28	30,05	32,35	1,416	1,104	
FC 9/29	30,93	33,23	1,462	1,140	
FC 9/30	31,81	34,11	1,508	1,176	
9,10 m (30 FT)	FC 10/5	9,86	12,36	450	351
	FC 10/6	10,74	13,24	508	396
	FC 10/7	11,62	14,12	565	440
	FC 10/8	12,50	15,00	622	485
	FC 10/9	13,38	15,88	679	530
	FC 10/10	14,26	16,76	736	574
	FC 10/11	15,14	17,64	793	619
	FC 10/12	16,02	18,52	851	664
	FC 10/13	16,90	19,40	908	708
	FC 10/14	17,78	20,28	965	753
	FC 10/15	18,66	21,16	1,022	797
	FC 10/16	19,54	22,05	1,080	842
	FC 10/17	20,42	22,93	1,137	887
FC 10/18	21,30	23,81	1,194	932	
FC 10/19	22,18	24,69	1,252	976	
FC 10/20	23,06	25,57	1,309	1,021	
FC 10/21	23,94	26,45	1,366	1,065	
FC 10/22	24,82	27,33	1,423	1,110	
FC 10/23	25,70	28,21	1,480	1,155	
FC 10/24	26,58	29,09	1,538	1,199	
FC 10/25	27,46	29,97	1,595	1,244	
FC 10/26	28,34	30,85	1,652	1,289	
FC 10/27	29,22	31,73	1,709	1,333	
FC 10/28	30,10	32,61	1,766	1,378	
FC 10/29	30,98	33,49	1,823	1,422	
FC 10/30	31,86	34,37	1,880	1,466	

Rif. 57x0011 Rev.0 - FRAME reserves the right to change specification without prior notice.

FRAME TECHNICAL DATASHEET

FC SILO DIMENSIONS & CAPACITIES

FRAME

www.framespa.it

DIAMETER METERS (feet)	MODEL NUMBER	HEIGHTS		CAPACITY		
		EAVES	OVERALL	m³	Tons	
		m	m			
10,00 m (33 FT)	FC11	FC 11/5	10,32	13,12	564	440
		FC 11/6	11,20	14,00	633	494
		FC 11/7	12,08	14,88	702	548
		FC 11/8	12,96	15,76	772	602
		FC 11/9	13,84	16,64	841	656
		FC 11/10	14,72	17,52	910	710
		FC 11/11	15,60	18,40	979	764
		FC 11/12	16,48	19,28	1.048	818
		FC 11/13	17,36	20,16	1.118	872
		FC 11/14	18,24	21,04	1.187	926
		FC 11/15	19,12	21,92	1.256	980
		FC 11/16	20,01	22,81	1.326	1.034
		FC 11/17	20,89	23,69	1.395	1.088
		FC 11/18	21,77	24,57	1.464	1.142
		FC 11/19	22,65	25,45	1.534	1.196
		FC 11/20	23,53	26,33	1.603	1.250
		FC 11/21	24,41	27,21	1.672	1.304
		FC 11/22	25,29	28,09	1.741	1.358
		FC 11/23	26,17	28,97	1.810	1.412
		FC 11/24	27,05	29,85	1.879	1.466
FC 11/25	27,93	30,73	1.949	1.520		
FC 11/26	29,26	32,06	2.018	1.574		
FC 11/27	30,14	32,94	2.087	1.628		
FC 11/28	31,02	33,82	2.156	1.682		
FC 11/29	31,90	34,70	2.225	1.736		
FC 11/30	32,78	35,58	2.295	1.790		
10,91 m (36 FT)	FC12	FC 12/5	10,79	13,89	694	541
		FC 12/6	11,67	14,77	776	605
		FC 12/7	12,55	15,65	859	670
		FC 12/8	13,43	16,53	941	734
		FC 12/9	14,31	17,41	1.023	798
		FC 12/10	15,19	18,29	1.106	862
		FC 12/11	16,07	19,17	1.188	927
		FC 12/12	16,95	20,05	1.270	991
		FC 12/13	17,83	20,93	1.353	1.055
		FC 12/14	18,71	21,81	1.435	1.119
		FC 12/15	19,59	22,69	1.517	1.184
		FC 12/16	20,48	23,58	1.601	1.249
		FC 12/17	21,36	24,46	1.683	1.313
		FC 12/18	22,24	25,34	1.766	1.377
		FC 12/19	23,12	26,22	1.848	1.442
		FC 12/20	24,00	27,10	1.930	1.506
		FC 12/21	24,88	27,98	2.013	1.570
		FC 12/22	25,76	28,86	2.095	1.634
		FC 12/23	26,64	29,74	2.178	1.698
		FC 12/24	27,52	30,62	2.260	1.763
FC 12/25	28,40	31,50	2.342	1.827		
FC 12/26	29,28	32,38	2.425	1.891		
FC 12/27	30,16	33,26	2.507	1.955		
FC 12/28	31,04	34,14	2.589	2.020		
FC 12/29	31,92	35,02	2.672	2.084		
FC 12/30	32,80	35,90	2.754	2.148		
11,82 m (39 FT)	FC13	FC 13/5	11,27	14,67	843	658
		FC 13/6	12,15	15,55	940	733
		FC 13/7	13,03	16,43	1.036	808
		FC 13/8	13,91	17,31	1.133	884
		FC 13/9	14,79	18,19	1.230	959
		FC 13/10	15,67	19,07	1.326	1.035
		FC 13/11	16,55	19,95	1.423	1.110
		FC 13/12	17,43	20,83	1.520	1.185
		FC 13/13	18,31	21,71	1.616	1.261
		FC 13/14	19,19	22,59	1.713	1.336
		FC 13/15	20,07	23,47	1.810	1.411
		FC 13/16	20,96	24,36	1.907	1.488
		FC 13/17	21,84	25,24	2.004	1.563
		FC 13/18	22,72	26,12	2.101	1.638
		FC 13/19	23,60	27,00	2.197	1.714
		FC 13/20	24,48	27,88	2.294	1.789
		FC 13/21	25,36	28,76	2.391	1.865
		FC 13/22	26,24	29,64	2.487	1.940
		FC 13/23	27,12	30,52	2.584	2.015
		FC 13/24	28,00	31,40	2.680	2.091
FC 13/25	29,33	32,73	2.777	2.166		
FC 13/26	30,21	33,61	2.874	2.242		
FC 13/27	31,09	34,49	2.970	2.317		
FC 13/28	31,97	35,37	3.067	2.392		
FC 13/29	32,85	36,25	3.164	2.468		
FC 13/30	33,73	37,13	3.260	2.543		

DIAMETER METERS (feet)	MODEL NUMBER	HEIGHTS		CAPACITY		
		EAVES	OVERALL	m³	Tons	
		m	m			
12,73 m (42 FT)	FC14	FC 14/5	11,73	15,33	1.007	786
		FC 14/6	12,61	16,21	1.119	873
		FC 14/7	13,49	17,09	1.232	961
		FC 14/8	14,37	17,97	1.344	1.048
		FC 14/9	15,25	18,85	1.456	1.135
		FC 14/10	16,13	19,73	1.568	1.223
		FC 14/11	17,01	20,61	1.680	1.310
		FC 14/12	17,89	21,49	1.792	1.398
		FC 14/13	18,77	22,37	1.904	1.485
		FC 14/14	19,65	23,25	2.016	1.573
		FC 14/15	20,53	24,13	2.128	1.660
		FC 14/16	21,42	25,02	2.242	1.748
		FC 14/17	22,30	25,90	2.354	1.836
		FC 14/18	23,18	26,78	2.466	1.923
		FC 14/19	24,06	27,66	2.578	2.011
		FC 14/20	24,94	28,54	2.690	2.098
		FC 14/21	25,82	29,42	2.802	2.186
		FC 14/22	26,70	30,30	2.914	2.273
		FC 14/23	27,58	31,18	3.026	2.360
		FC 14/24	28,46	32,06	3.138	2.448
FC 14/25	29,34	32,94	3.250	2.535		
FC 14/26	30,22	33,82	3.362	2.623		
FC 14/27	31,10	34,70	3.474	2.710		
FC 14/28	31,98	35,58	3.586	2.798		
FC 14/29	32,86	36,46	3.698	2.885		
FC 14/30	33,74	37,34	3.810	2.972		

NOTE:

The maximum capacity of the silos is calculated assuming an angle of repose of 28° and based on uncompacted cereals weight of 780 kg/m³.

Silos are designed to meet:

- 144 km/h wind speed

- 75 kg/m² of snow on the roof

Standard roof peak capacity varies from 250 to 15.000 kg, depending on silo diameter.

FRAME reserves right to change specifications without prior notice.



FRAME TECHNICAL DATASHEET

FC SILO DIMENSIONS & CAPACITIES

FRAME

www.framespa.it

DIAMETER METERS (feet)	MODEL NUMBER	HEIGHTS		CAPACITY	
		EAVES (m)	OVERALL (m)	m ³	Tons
3,64 m (12 FT)	FC 4/5	9,65	9,65	61	48
	FC 4/6	10,77	10,77	71	55
	FC 4/7	11,89	11,89	80	62
	FC 4/8	13,01	13,01	89	69
	FC 4/9	14,13	14,13	98	76
	FC 4/10	15,25	15,25	107	84
	FC 4/11	16,37	16,37	116	91
	FC 4/12	17,49	17,49	125	98
	FC 4/13	18,61	18,61	135	105
	FC 4/14	19,73	19,73	144	112
	FC 4/15	20,85	20,85	153	119
	FC 4/16	21,97	21,97	162	126
FC 4/17	23,09	23,09	171	134	
FC 4/18	24,22	24,22	180	141	
FC 4/19	25,34	25,34	190	148	
FC 4/20	26,46	26,46	199	155	
4,55 m (15 FT)	FC 5/5	9,65	9,65	102	79
	FC 5/6	10,77	10,77	116	90
	FC 5/7	11,89	11,89	130	102
	FC 5/8	13,01	13,01	144	113
	FC 5/9	14,13	14,13	159	124
	FC 5/10	15,25	15,25	173	135
	FC 5/11	16,37	16,37	187	146
	FC 5/12	17,49	17,49	202	157
	FC 5/13	18,61	18,61	216	168
	FC 5/14	19,73	19,73	230	180
	FC 5/15	20,85	20,85	245	191
	FC 5/16	21,97	21,97	259	202
FC 5/17	23,09	23,09	273	213	
FC 5/18	24,22	24,22	287	224	
FC 5/19	25,34	25,34	302	235	
FC 5/20	26,46	26,46	316	246	
FC 5/21	23,04	24,24	330	258	
FC 5/22	23,92	25,12	345	269	
FC 5/23	24,80	26,00	359	280	
FC 5/24	25,68	26,88	373	291	
FC 5/25	26,56	27,76	388	302	
5,46 m (18 FT)	FC 6/5	9,77	11,27	155	121
	FC 6/6	10,65	12,15	175	137
	FC 6/7	11,53	13,03	196	153
	FC 6/8	12,41	13,91	217	169
	FC 6/9	13,29	14,79	237	185
	FC 6/10	14,17	15,67	258	201
	FC 6/11	15,05	16,55	278	217
	FC 6/12	15,93	17,43	299	233
	FC 6/13	16,81	18,31	319	249
	FC 6/14	17,69	19,19	340	265
	FC 6/15	18,57	20,07	361	281
	FC 6/16	19,45	20,95	381	297
FC 6/17	20,33	21,83	402	313	
FC 6/18	21,21	22,71	422	329	
FC 6/19	22,09	23,59	443	346	
FC 6/20	22,97	24,47	464	362	
FC 6/21	23,85	25,35	484	378	
FC 6/22	24,73	26,23	505	394	
FC 6/23	25,61	27,11	525	410	
FC 6/24	26,49	27,99	546	426	
FC 6/25	27,37	28,87	567	442	
FC 6/26	28,25	29,75	587	458	
FC 6/27	29,13	30,63	608	474	
FC 6/28	30,01	31,51	628	490	
FC 6/29	30,89	32,39	649	506	
FC 6/30	31,77	33,27	669	522	

DIAMETER METERS (feet)	MODEL NUMBER	HEIGHTS		CAPACITY	
		EAVES (m)	OVERALL (m)	m ³	Tons
6,37 m (21 FT)	FC 7/5	10,55	12,35	222	173
	FC 7/6	11,43	13,23	250	195
	FC 7/7	12,31	14,11	278	217
	FC 7/8	13,19	14,99	306	238
	FC 7/9	14,07	15,87	334	260
	FC 7/10	14,95	16,75	362	282
	FC 7/11	15,83	17,63	390	304
	FC 7/12	16,71	18,51	418	326
	FC 7/13	17,59	19,39	446	348
	FC 7/14	18,47	20,27	474	370
	FC 7/15	19,35	21,15	502	391
	FC 7/16	20,23	22,03	530	413
FC 7/17	21,11	22,91	558	435	
FC 7/18	21,99	23,79	586	457	
FC 7/19	22,87	24,67	614	479	
FC 7/20	23,75	25,55	642	501	
FC 7/21	24,63	26,43	670	523	
FC 7/22	25,51	27,31	698	544	
FC 7/23	26,39	28,19	726	566	
FC 7/24	27,27	29,07	754	588	
FC 7/25	28,15	29,95	782	610	
FC 7/26	29,03	30,83	810	632	
FC 7/27	29,91	31,71	838	654	
FC 7/28	30,79	32,59	866	676	
FC 7/29	31,67	33,47	894	697	
FC 7/30	32,55	34,35	922	719	
FC 8/12	17,51	19,51	560	437	
FC 8/13	18,39	20,39	597	466	
FC 8/14	19,27	21,27	634	494	
FC 8/15	20,15	22,15	670	523	
FC 8/16	21,03	23,03	707	551	
FC 8/17	21,91	23,91	743	580	
FC 8/18	22,79	24,79	780	608	
FC 8/19	23,67	25,67	817	637	
FC 8/20	24,55	26,55	853	665	
FC 8/21	25,43	27,43	890	694	
FC 8/22	26,31	28,31	926	723	
FC 8/23	27,19	29,19	963	751	
FC 8/24	28,07	30,07	1.000	780	
FC 8/25	28,95	30,95	1.036	808	
FC 8/26	29,83	31,83	1.073	837	
FC 8/27	30,71	32,71	1.109	865	
FC 8/28	31,59	33,59	1.146	894	
FC 8/29	32,47	34,47	1.183	922	
FC 8/30	33,35	35,35	1.219	951	

7,28
m
(24 FT)

FC8
NOTE:

The maximum capacity of the silos is calculated assuming an angle of repose of 28° and based on uncompacted cereals weight of 780 kg/m³.

Silos are designed to meet:

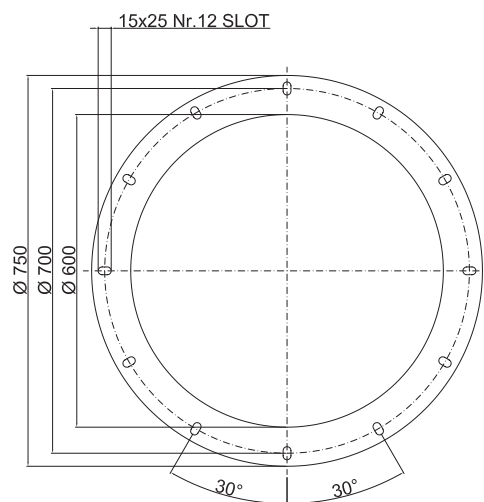
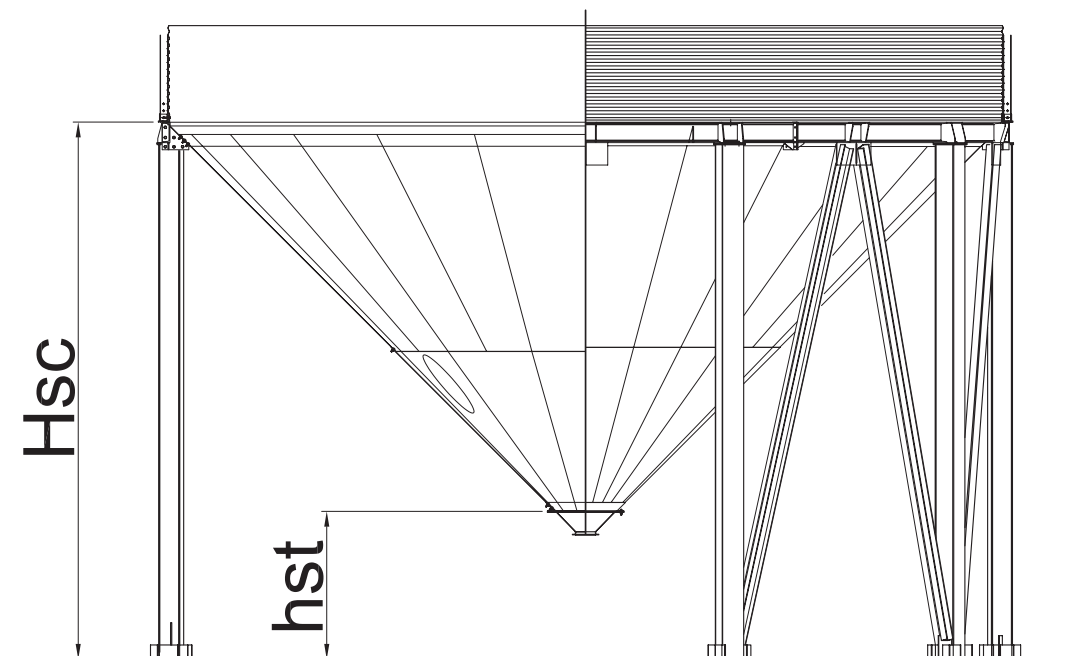
- 144 km/h wind speed

- 75 kg/m² of snow on the roof

Standard roof peak capacity varies from 250 to 15.000 kg, depending on silo diameter.

FRAME reserves right to change specifications without prior notice.





TYPE	45° FC COMMERCIAL HOPPER		60° FC COMMERCIAL HOPPER	
	hst mm	hsc mm	hst mm	hsc mm
FC 04	760	2300	910	3570
FC 05	990	3000	910	4360
FC 06	890	3375	910	5150
FC 07	1080	3930	910	5940
FC 08	1450	4475	1200	7020
FC 09	1450	5060	1200	7810
FC 10	1450	5520	1200	8600
FC 11	1450	5965	1200	9400