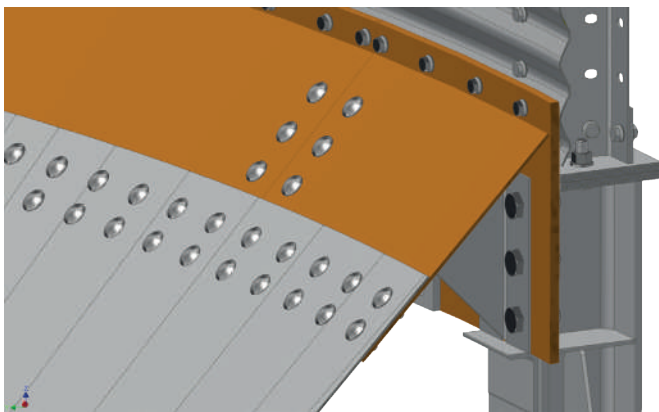
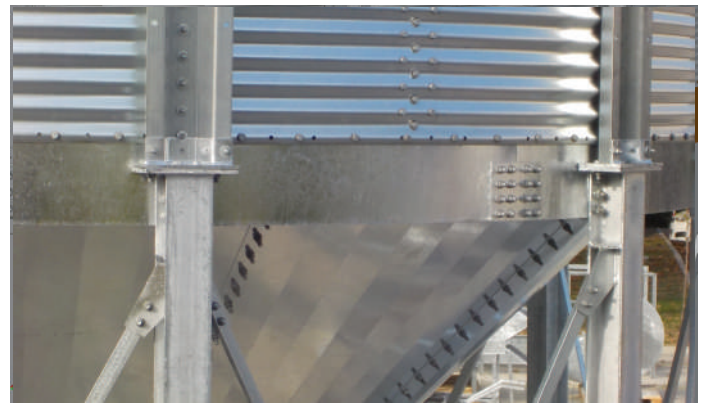


FRAME TECHNICAL DATASHEET

FRAME FH SERIES HOPPER SILOS



— Detail of the compression ring/internal skirt connection



— Detail of the compression ring/leg/stiffener connection

The FH hopper bottom silos are offered with 45-degree hopper and an optimized design to reach up to 1.000 m³ capacity. FH silos can be offered according to ANSI/ASAE EP433 (R2011) or Eurocode EN 1991-4 (2006) standards taking into account the local wind, seismic & snow load, requirement to ensure a perfect fit with the specific environment condition and to achieve the longest silo & accessories lifetimes.

As **FRAME** silo sidewall sheets are 450 grammes/m² galvanized as well as the external stiffeners and the roof.

The hopper panels are manufactured from hot dipped galvanized steel & incorporate a bolted inspection hatch and a 600 mm diameter outlet flange.

600 grammes/m² galvanized wall & roof sheets are available at an additional cost.

The specially designed hot dipped galvanized steel support structure features a formed **galvanized steel compression ring welded to the internal skirt** each segment section support legs are hot dipped galvanized & incorporate galvanized diagonal braces & welded anchor plates.

The 31-degree pitch silo roof with ribbed sheets & inspection hatch is offered as standard.

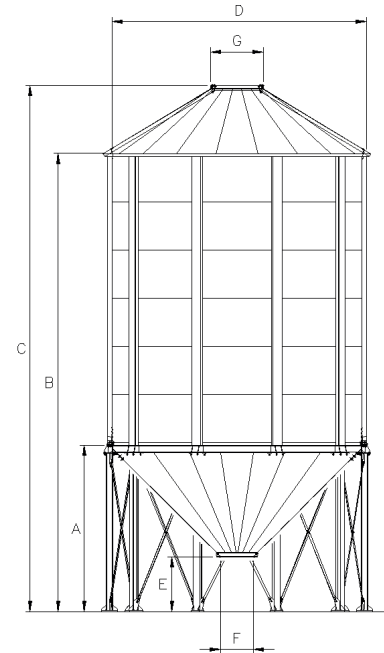
The full range of **FRAME** accessories include:

- › Vertical & roof ladders
- › Internal ladders
- › Catwalks
- › High/low level sensors
- › Roof vents
- › Aeration systems
- › Outlet slides
- › Sidewall access door etc.
- › Remote center cap opening facility

FRAME TECHNICAL DATASHEET

FRAME FH SERIES HOPPER SILOS

DIAMETER (m) (FEET)	MODEL	CAPACITIES		HEIGHTS		
		m ³	Tons	A (m)	B (m)	C (m)
D 3,64 m (12 FT) FH4	FH 4/5	56	44	2,58	7,06	8,00
	FH 4/6	65	51	2,58	7,94	8,88
	FH 4/7	75	58	2,58	8,82	9,76
	FH 4/8	84	65	2,58	9,70	10,64
	FH 4/9	93	72	2,58	10,58	11,52
	FH 4/10	102	80	2,58	11,46	12,40
	FH 4/11	111	87	2,58	12,34	13,28
	FH 4/12	120	94	2,58	13,22	14,16
	FH 4/13	130	101	2,58	14,10	15,04
	FH 5/5	92	72	3,03	7,51	8,71
	FH 5/6	106	83	3,03	8,39	9,59
	FH 5/7	121	94	3,03	9,27	10,47
	D 4,55 m (15 FT) FH5	FH 5/8	135	105	3,03	10,15
FH 5/9		149	116	3,03	11,03	12,23
FH 5/10		164	127	3,03	11,91	13,11
FH 5/11		178	139	3,03	12,79	13,99
FH 5/12		192	150	3,03	13,67	14,87
FH 5/13		206	161	3,03	14,55	15,75
FH 5/14		220	172	3,03	15,43	16,63
FH 5/15		234	183	3,03	16,31	17,51
FH 5/16		248	194	3,03	17,19	18,39
FH 5/17		262	206	3,03	18,07	19,27
FH 6/5		139	108	3,51	7,99	9,49
FH 6/6		159	124	3,51	8,87	10,37
D 5,46 m (18 FT) FH6		FH 6/7	180	140	3,51	9,75
	FH 6/8	200	156	3,51	10,63	12,13
	FH 6/9	221	172	3,51	11,51	13,01
	FH 6/10	242	188	3,51	12,39	13,89
	FH 6/11	262	204	3,51	13,27	14,77
	FH 6/12	283	221	3,51	14,15	15,65
	FH 6/13	303	237	3,51	15,03	16,53
	FH 6/14	324	253	3,51	15,91	17,41
	FH 6/15	345	269	3,51	16,79	18,29
	FH 6/16	365	285	3,51	17,67	19,17
	FH 6/17	386	301	3,51	18,55	20,05
	FH 6/18	406	317	3,51	19,43	20,93
	FH 6/19	427	333	3,51	20,31	21,81
FH 6/20	448	349	3,51	21,19	22,69	



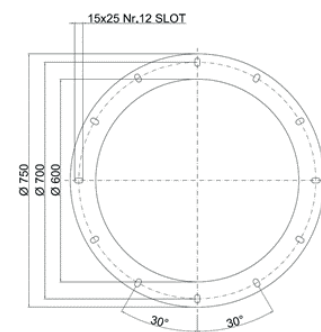
Fixed dimensions:

E = 1000 mm

G = 760 mm*

(*G = 960 mm only for model FH8)

F = Hopper Outlet Detail



Note:

The maximum capacity of the silo is calculated assuming an angle of repose of 28 degrees & based on uncompacted cereals weight of 780kg/m³.

Standard silos are designed to meet:

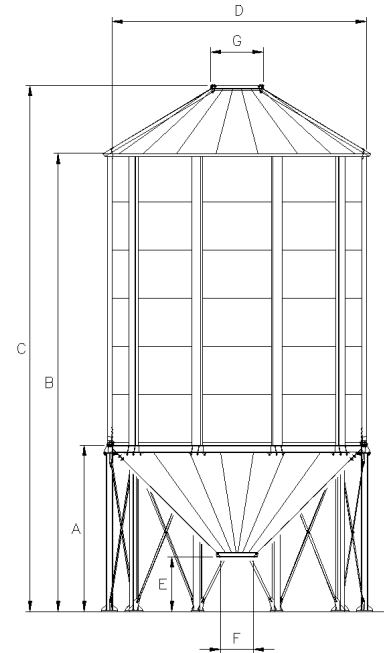
- 144 km/h wind speed
- 75 kg/m² of snow load on the roof
- No seismic zone

Standard roof peak capacity from 250 to 750kg depending on silo model.

FRAME TECHNICAL DATASHEET

FRAME FH SERIES HOPPER SILOS

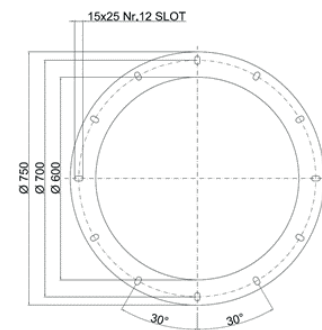
DIAMETER (m) (FEET)	MODEL	CAPACITIES		HEIGHTS					
		m ³	Tons	A (m)	B (m)	C (m)			
D 6,37 m (21 FT)	FH7	FH 7/5	197	154	3,96	8,44	10,24		
		FH 7/6	225	175	3,96	9,32	11,12		
		FH 7/7	253	197	3,96	10,20	12,00		
		FH 7/8	281	219	3,96	11,08	12,88		
		FH 7/9	309	241	3,96	11,96	13,76		
		FH 7/10	337	263	3,96	12,84	14,64		
		FH 7/11	365	285	3,96	13,72	15,52		
		FH 7/12	393	307	3,96	14,60	16,40		
		FH 7/13	421	328	3,96	15,48	17,28		
		FH 7/14	449	350	3,96	16,36	18,16		
		FH 7/15	477	372	3,96	17,24	19,04		
		FH 7/16	505	394	3,96	18,12	19,92		
		FH 7/17	533	416	3,96	19,00	20,80		
		FH 7/18	561	438	3,96	19,88	21,68		
		FH 7/19	589	460	3,96	20,76	22,56		
		FH 7/20	617	481	3,96	21,64	23,44		
		FH 7/21	645	503	3,96	22,52	24,32		
		FH 7/22	673	525	3,96	23,40	25,20		
		FH 7/23	701	547	3,96	24,28	26,08		
		D 7,28 m (24 FT)	FH8	FH 8/5	267	208	4,42	8,90	10,90
				FH 8/6	303	237	4,42	9,78	11,78
				FH 8/7	340	265	4,42	10,66	12,66
				FH 8/8	377	294	4,42	11,54	13,54
FH 8/9	413			322	4,42	12,42	14,42		
FH 8/10	450			351	4,42	13,30	15,30		
FH 8/11	486			379	4,42	14,18	16,18		
FH 8/12	523			408	4,42	15,06	17,06		
FH 8/13	560			437	4,42	15,94	17,94		
FH 8/14	596			465	4,42	16,82	18,82		
FH 8/15	633			494	4,42	17,70	19,70		
FH 8/16	669			522	4,42	18,58	20,58		
FH 8/17	706	551	4,42	19,46	21,46				
FH 8/18	743	579	4,42	20,34	22,34				
FH 8/19	779	608	4,42	21,22	23,22				
FH 8/20	816	636	4,42	22,10	24,10				
FH 8/21	852	665	4,42	22,98	24,98				
FH 8/22	889	693	4,42	23,86	25,86				
FH 8/23	926	722	4,42	24,74	26,74				
FH 8/24	962	751	4,42	25,62	27,62				
FH 8/25	1.000	780	4,42	26,50	28,50				

**Fixed dimensions:**

E = 1000 mm

G = 760 mm*

(*G = 960 mm only for model FH8)

F = Hopper Outlet Detail**Note:**

The maximum capacity of the silo is calculated assuming an angle of repose of 28 degrees & based on uncompacted cereals weight of 780kg/m³.

Standard silos are designed to meet:

- 144 km/h wind speed
- 75 kg/m² of snow load on the roof
- No seismic zone

Standard roof peak capacity from 250 to 750kg depending on silo model.