

FRAME TECHNICAL DATASHEET

FRAME SILO FAN VFIS185Z

FRAME 
 www.framespa.it


APPLICATIONS

The fans of this series are suitable for sucking clean or slightly dusty air and they are mainly used in plants where it is requested to convey great volumes of air and therefore they are particularly proper for grain and feed drying and aeration of storage bins. The particular shape of the impeller with reversed blades assure a high efficiency.

In the standard execution the temperature of sucked fluid must not exceed 80°C.

TECHNICAL FEATURES

The fans of this series are suitable for sucking clean or slightly dusty air and they are mainly used in plants where it is requested to convey great volumes of air and therefore they are particularly proper for grain and feed drying and aeration of storage bins. The particular shape of the impeller with reversed blades assure a high efficiency. In the standard execution the temperature of sucked fluid must not exceed 80°C.



OPERATING RANGE

Pt = 90 - 215 mm. H₂O - Q = 13500 - 37.800 mc/h.

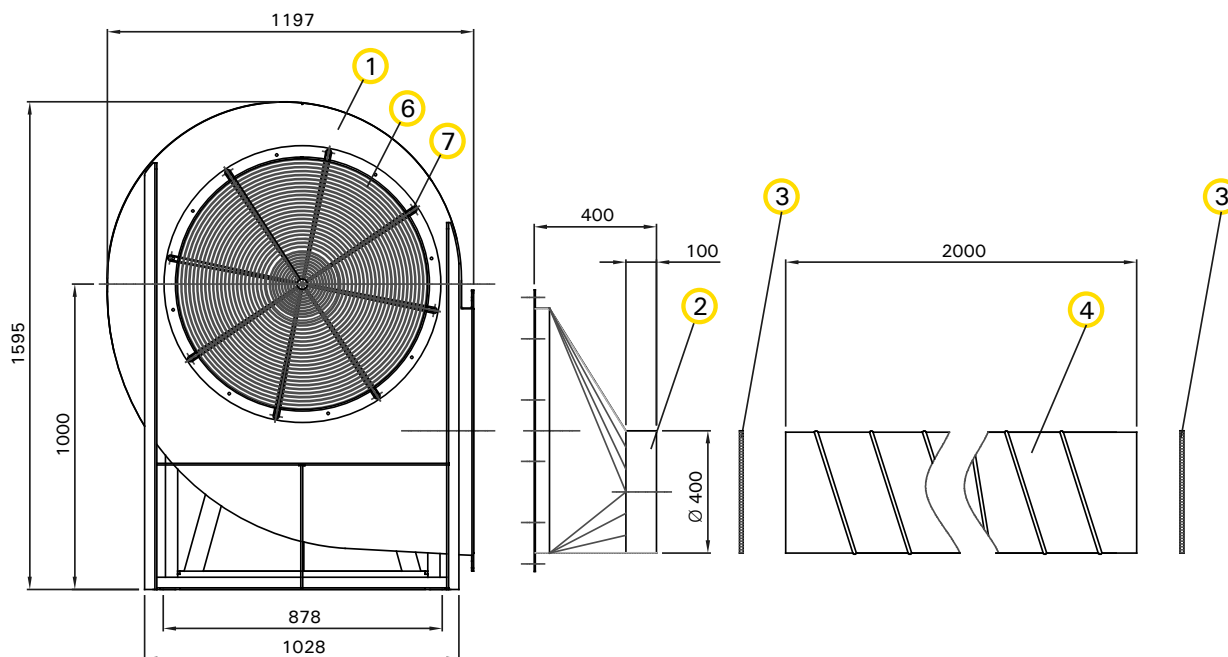
As optional, we can also offer the following items:

- > Fan Version on trolley with handles and wheels for handling;
- > Standard version for temperatures until -20 °C;
- > Special version for temperatures until -32 °C;
- > Electric on/off switch panel placed on the board of the fan, in protection class IP 56;
- > Anti-condensation motor heaters for tropical or low temperature environments.

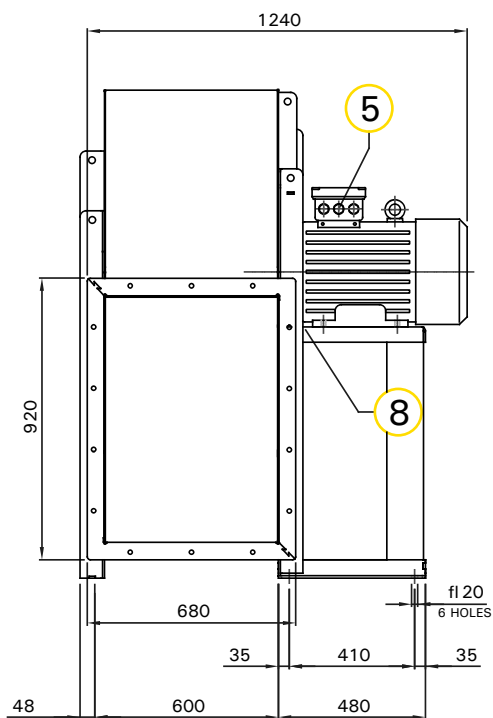
— FAN VFIS185Z

FRAME TECHNICAL DATASHEET

FRAME SILO FAN VFIS185Z

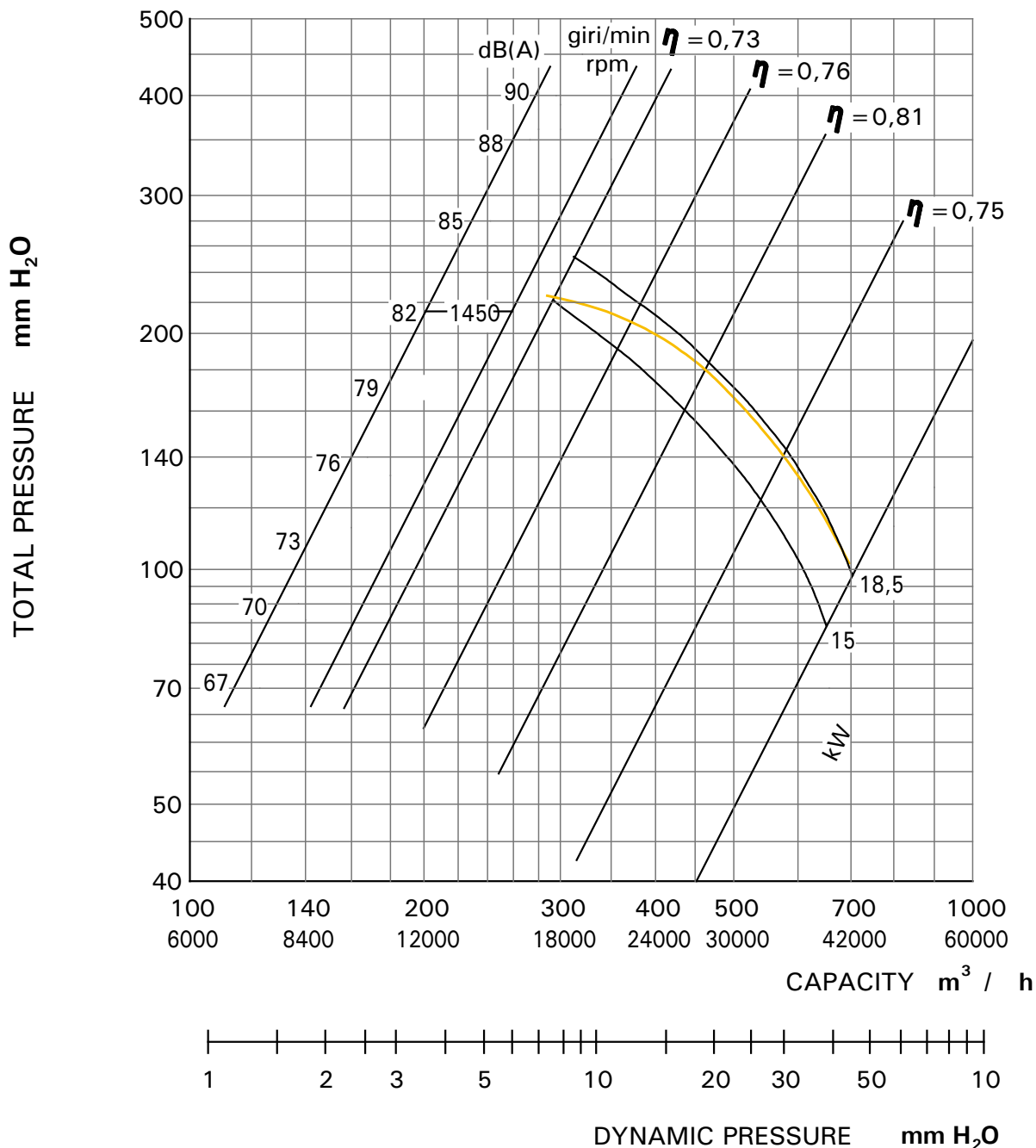


FRONT VIEW
OUTLET SIDE



LEGEND	
1	SCROLL MADE IN FE SHEET HOT DEEP GALVANIZED ACCORDING TO THE NORMS UNI EN ISO 1461
2	HOPPER MADE IN WELDED FE SHEET HOT DEEP GALVANIZED.
3	WRAPPER
4	SPIRALIZED PIPE
5	ELECTRIC MOTOR 18,5 kW, 2 POLE, IE2 eff. – WITH DRAINAGE HOLES
6	PROTECTION NET
7	NUTS AND BOLTS MADE IN AISI 304
8	DRAINAGE HOLE

57X0030 Rev. 0 - FRAME reserves the right to change specification without prior notice.



NOISE LEVEL TOLERANCE +3 Db(A) ABSORBED POWER TOLERANCE ±3%

Performances are referred to an environmental temperature of 15°C – altitude of 0 meters - p = 1,226 kg/m³

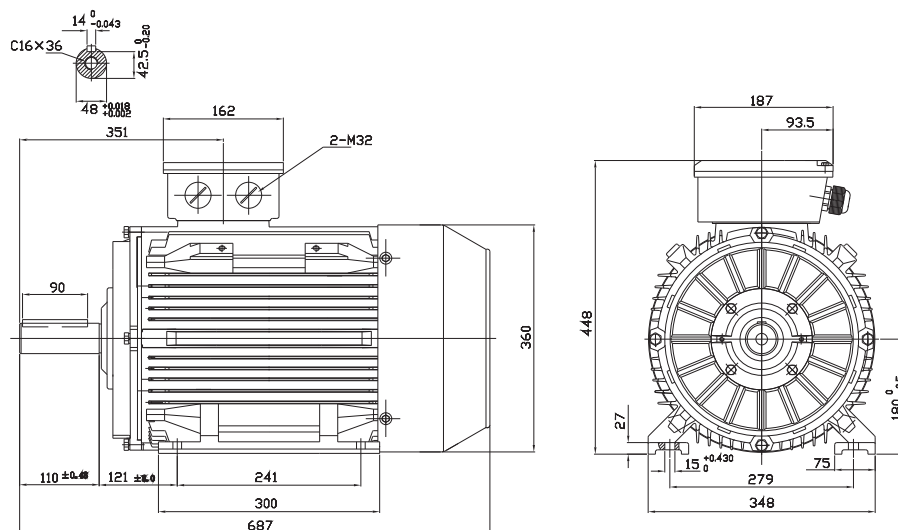
The values of noisiness' brought are referred to a distance of measurement of two meters in free field with canalized fan.

FRAME TECHNICAL DATASHEET

FRAME SILO FAN VFIS185Z



www.framespa.it



Electrical data				General data			
Rated motor power	18.5		Kw	Frame size	180		
Rated motor speed	1445		min ⁻¹ 50Hz	Mounting	B3		
	1735		min ⁻¹ 60Hz	Weight	158	Kg	
Rated motor frequency	50		Hz	Casing material	Cast iron		
Rated motor voltage(+/-10%)	400		V ϵ /50Hz	Protection	IP	55	
	690		VY/50Hz	Insulation class/Temperature rise	F	/	B
	480		V ϵ /60Hz	Tropicalization	Yes		
	830		VY/60Hz	Vibration class	N		
Rated motor torque	121.8		Nm (Mn)	Duty	S1		
Rated motor current	34.05	V Δ /50Hz	A (In)	Direction of rotation	Bidirectional		
	19.68	V Δ /50Hz	A (In)	Method of cooling	IC	411	
Starting motor current	8.6		xIn	Cable entry	2-M32x1,5+1M16x1,5		
Starting motor torque	2.5		xMn	Standards	IEC/DIN/ISO/DE/EN		
Breakdown motor torque	2.8		xMn	Execute at Standard	IEC 60034-1		
Starting			D.O.L.	Feet removable	Yes		
Efficiency class	IE2			Paintwork	RAL	7024	dark grey
Efficiency	50Hz	60Hz		Thermal protections	n/a		
			100% load				
			75% load				
			50% load				
Power factor cos ϕ	0.86	0.86	100% load				
Mechanical data				Site conditions			
Noise level	LpA	67	dB(A)	Ambient temperature	from -20°C to +40°C		
	LwA	76	dB(A)	Altitude above sea level	1000 m		
Moment of inertia	0.14084		Kgm ^f				
Bearings type			NSK				
Lubricants for bearings	See installation and maintenance manual page 12			Bearing DE side	6311-C3		
				Bearing NDE side	6311-C3		
				Average bearing lifetime	40000	h	
				Relubrication interval L1 DE bearing	18500	h	
			Relubrication interval L1 NDE bearing	18500	h		
			Compensation ring	NDE SIDE	standard		